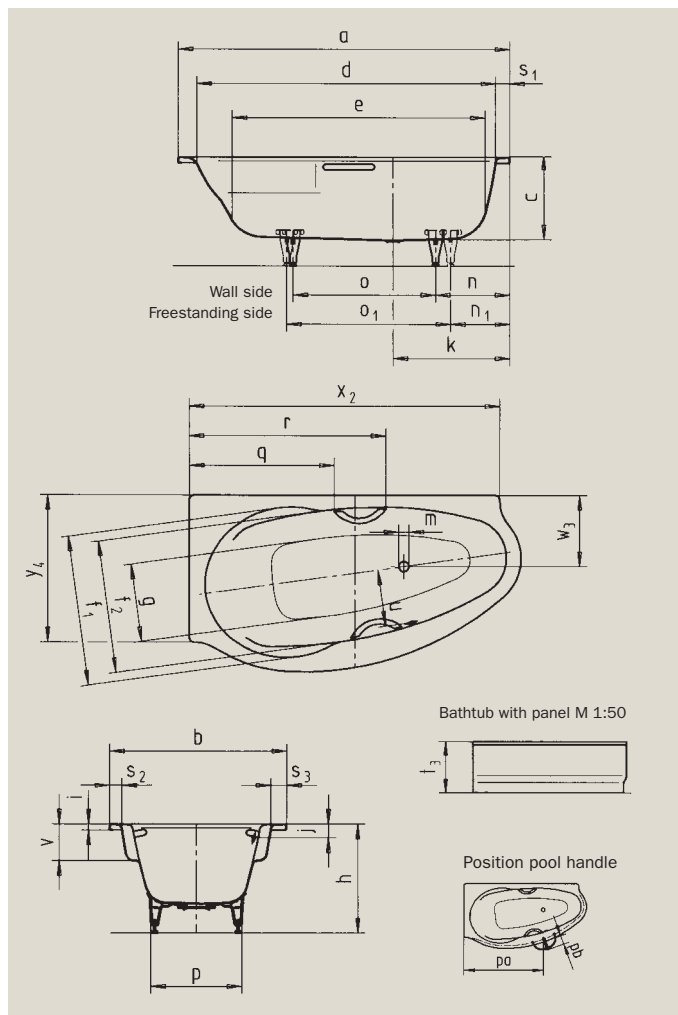


STUDIO right

STUDIO STAR right

- harmoniously designed corner bathtub with left and right installation options
- generously proportioned area for the back and integrated arm rests
- also available with panel and handles



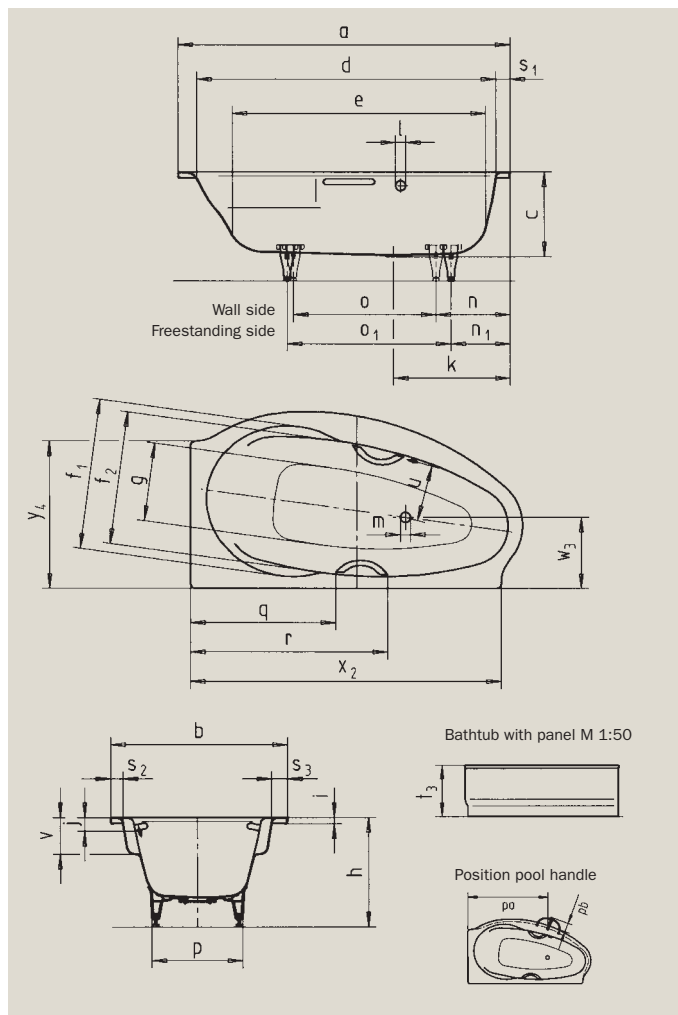
Model no.		826 / 827
External length	a	1700 mm
External width	b	900 mm
Depth	c	430 mm
Internal length (top)	d	1545 mm
Internal length (bottom)	e	1290 mm
Internal width (top)	f ₁ ; f ₂	765; 675 mm
Internal width (bottom)	g	340 mm
Height with feet	h	550-575 mm
Height of rim	i	32 mm
Distance top edge to centre of overflow hole	j	70 mm
Distance tub edge (foot) to centre of drain hole	k	600 mm
Diameter of overflow hole	l	52 mm
Diameter of drain hole	m	52 mm
Distance foot end of tub edge to centre of base	n; n ₁	590; 558 mm
Distance between the feet	o; o ₁	745; 880 mm
Max. width of feet	p	525 mm
Distance tub edge to drilled hole in the middle	pa	1105,5 mm
Max. overhang	pb	127,5 mm
Distance tub edge (foot end) to where handle starts (Mod. 827)	q	710 mm
Distance tub edge (foot end) to where handle ends (Mod. 827)	r	975 mm
Width of rim (foot end; lengthwise)	s ₁ ; s ₂ ; s ₃	75; 60; 140 mm
Height with support and panel	t ₃	560 mm
Distance between centre holes	u	290 mm
Armrest depth	v	200 mm
Distance tub edge (lengthwise) to drain hole	w ₃	363 mm
Side length (lengthwise)	x ₂	1590 mm
Side length (head end)	y ₄	750 mm
Water volume** in litres		149
Anti-slip		∅ 288 mm
Full anti-slip		600 x 220 mm

Subject to technical alterations and tolerances.
 ** 70 litres displacement on average.

STUDIO left

STUDIO STAR left

- harmoniously designed corner bathtub with left and right installation options
- generously proportioned area for the back and integrated arm rests
- also available with panel and handles



Model no.		828 / 829
External length	a	1700 mm
External width	b	900 mm
Depth	c	430 mm
Internal length (top)	d	1545 mm
Internal length (bottom)	e	1290 mm
Internal width (top)	$f_1; f_2$	765; 675 mm
Internal width (bottom)	g	340 mm
Height with feet	h	550-575 mm
Height of rim	i	32 mm
Distance top edge to centre of overflow hole	j	70 mm
Distance tub edge (foot) to centre of drain hole	k	600 mm
Diameter of overflow hole	l	52 mm
Diameter of drain hole	m	52 mm
Distance foot end of tub edge to centre of base	$n; n_1$	590; 558 mm
Distance between the feet	$o; o_1$	745; 880 mm
Max. width of feet	p	525 mm
Distance tub edge to drilled hole in the middle	pa	1105,5 mm
Max. overhang	pb	127,5 mm
Distance tub edge (foot end) to where handle starts (Mod. 829)	q	710 mm
Distance tub edge (foot end) to where handle ends (Mod. 829)	r	975 mm
Width of rim (foot end; lengthwise)	$s_1; s_2; s_3$	75; 60; 140 mm
Height with support and panel	t_3	560 mm
Distance between centre holes	u	290 mm
Armrest depth	v	200 mm
Distance tub edge (lengthwise) to drain hole	w_3	363 mm
Side length (lengthwise)	x_2	1590 mm
Side length (head end)	y_4	750 mm
Water volume** in litres		149
Anti-slip		∅ 288 mm
Full anti-slip		600 x 220 mm

Subject to technical alterations and tolerances.
 ** 70 litres displacement on average.