

ACRYLIC BATH FRONT-SIDE PANEL INSTALLATION GUIDE

Basic knowledge:

- Check out the quality of the product before installation!
- After installation, the manufacturer grant guarantee only for errors in manufacturing or material errors!
- The surface of the bath is covered by protective film, You should remove it after installation!

Installation guide:

1. Place the bath on flat surface (protect with cardboard) upside down and do the following:
 - Fix the front or rear panel brackets with screws on the wooden cubes under the border of the bath.

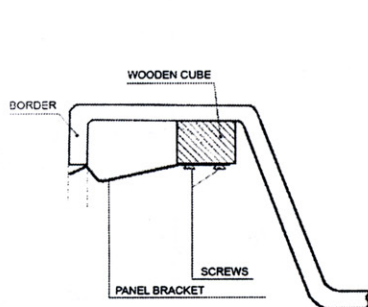
The end of the brackets must be in line with the inner side of the bath rim (Figure 1.).

2. After the levelling foot installation (see the instructions in the levelling set) fix the panel spacers on the levelling legs, the panel must be in vertical angle with the border of the bath, and must touch the spacers (Figure 2.).

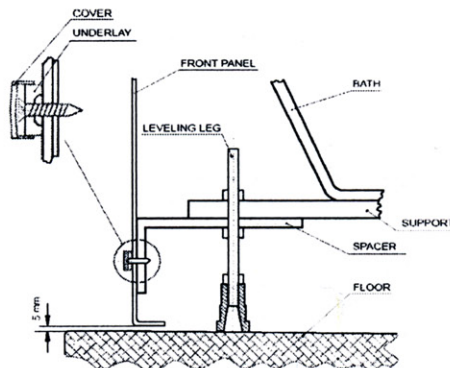
In the case of side panels, fix the spacers on the floor, the side panels border must be in vertical angle with the border of the bath and must touch the spacers (Figure 3.).

3. After the installation of bath and panels fix the panels to the spacers with screws (together with white plastic underlay like in figure 2. and 3.). Place the white covering on the underlay. Pay attention not to bend the panels surface!

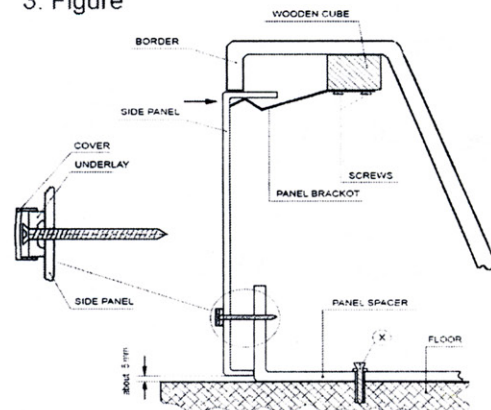
1. Figure



2. Figure



3. Figure



*Front-side
panel set*

*Plastic spacer for front
and side panels "L"
2 pcs*

*Metalic brackets for
front and side panels
4 pcs*

*Screw 4x20
(for metalic brackets)
8 pcs*

*Screw 4x35
(for front panel)
4 pcs*

*Plastic white covering (for masking the
panel fixing screws)
2 pair*