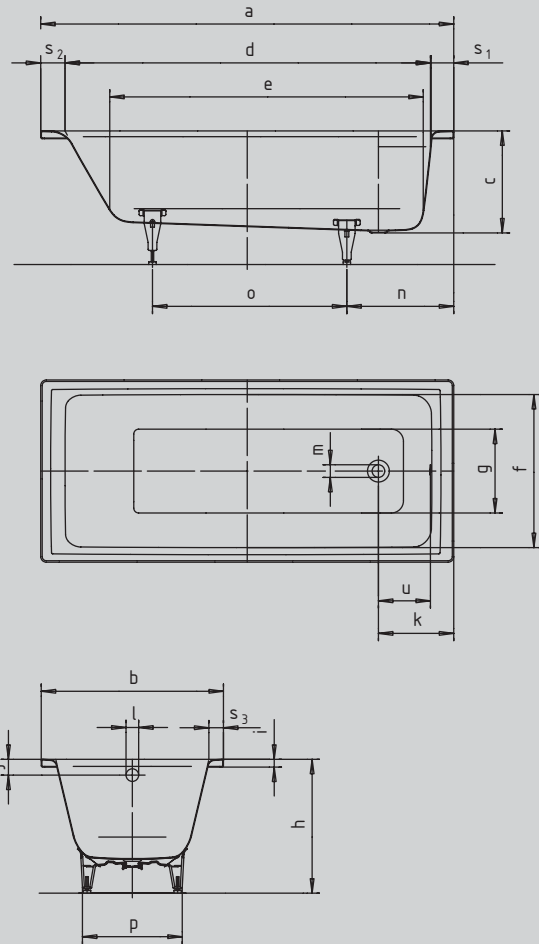


PURO

- straightlined, purist design
- one-seater bathtub with waste at foot end
- classic four-cornered model
- made of Kaldewei steel enamel 3.5 mm



Model No.		683	687	652	691	653
External length	a	1600	1700	1700	1700	1800 mm
External width	b	700	700	750	800	800 mm
Depth	c	420	420	420	420	420 mm
Internal length (top)	d	1410	1510	1510	1510	1610 mm
Internal length (bottom)	e	1180	1280	1280	1280	1380 mm
Internal width (top)	f	580	580	620	630	670 mm
Internal width (bottom)	g	410	410	460	460	510 mm
Height with feet	h	552-572	555-565	554-568	552-565	553-563 mm
Height of rim	i	32	32	32	32	32 mm
Distance top edge to centre of overflow hole	j	65	65	65	65	65 mm
Distance tub edge (foot) to centre of drain hole	k	310	310	310	310	310 mm
Diameter of overflow hole	l	52	52	52	52	52 mm
Diameter of drain hole	m	52	52	52	52	52 mm
Distance foot end of tub edge to centre of foot	n	435	445	445	445	460 mm
Distance between the feet	o	705	755	750	755	820 mm
Max. width of feet	p	410	420	470	480	520 mm
Width of rim (foot end; head end; lengthwise)	s ₁ ; s ₂ ; s ₃	90; 100; 60	90; 100; 60	90; 100; 60	90; 100; 85	90; 100; 60 mm
Distance between centre holes	u	214	214	214	214	214 mm
Water volume** in litres		105	122	137	141	170
Weight of the enamelled bath tub in kg		46	49	50	53	55
Anti-slip		300 x 300	300 x 300	348 x 348	348 x 348	396 x 396 mm
Full anti-slip		708 x 252	876 x 252	924 x 348	924 x 348	1020 x 396 mm

Subject to technical alterations and tolerances.
 ** 70 litres displacement on average.