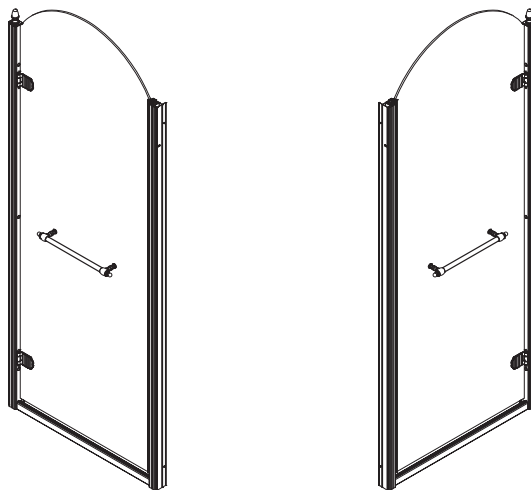
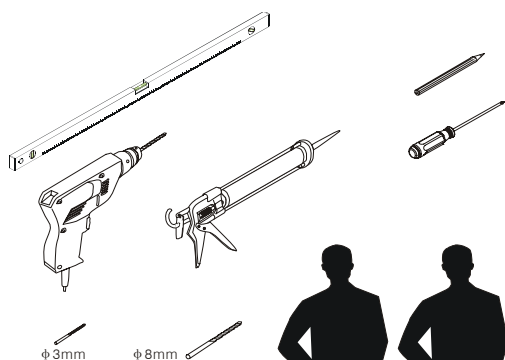
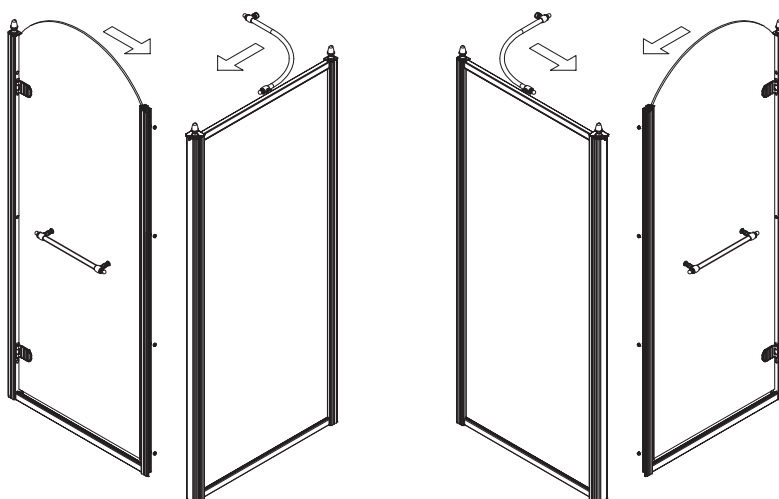


ANTIGUE

montážní návod / installation instruction
GQ1280L, GQ1290L, GQ1380R, GQ1390R



GQ5680, GQ5690



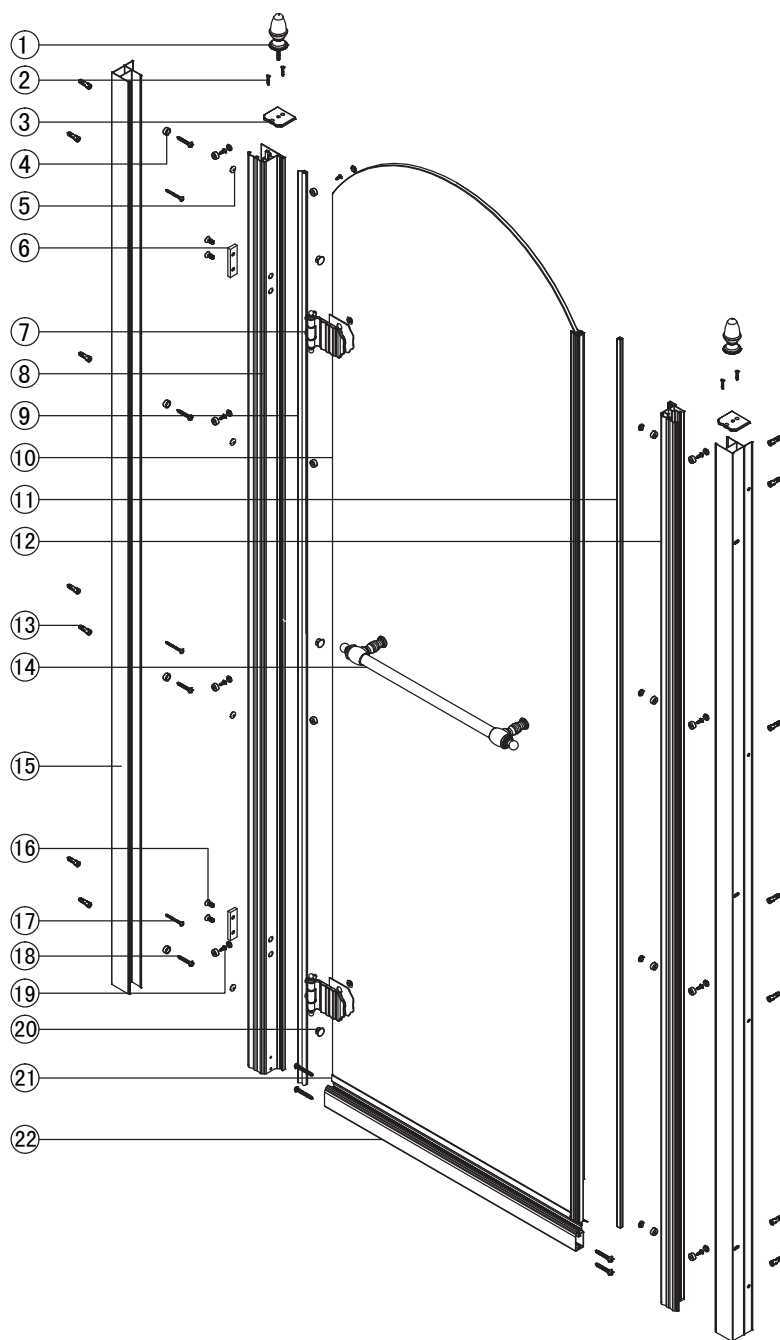
CE









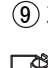
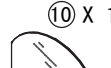













EN14428
Glass shower enclosure
cleaning efficiency: conforming
impact resistance: conforming
operating life: conforming

Skleněné sprchové zástěny
schopnost: vyhovuje
odolnost proti nárazu: vyhovuje
životnost: vyhovuje

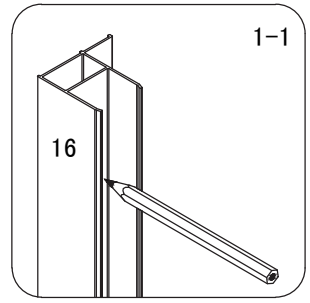
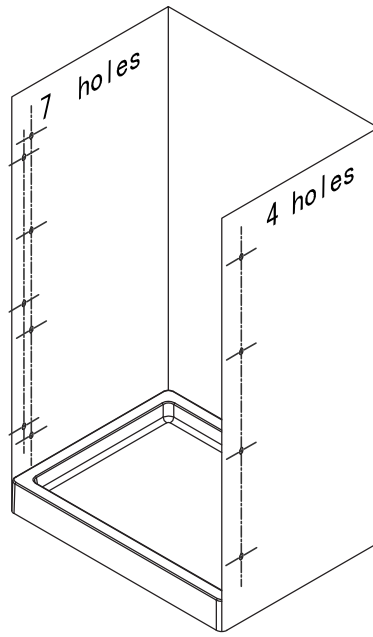
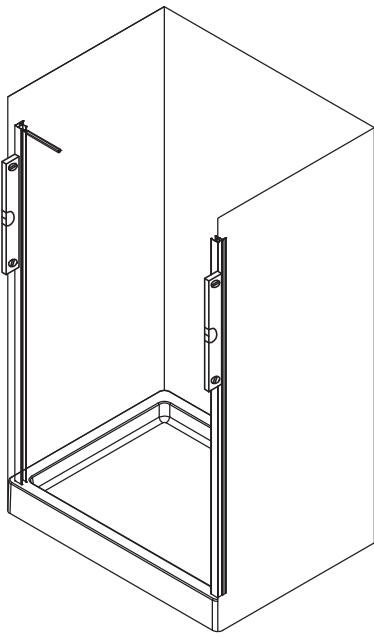
 GELCO

GELCO s.r.o., Makovského 1341, 163 000 Praha 6

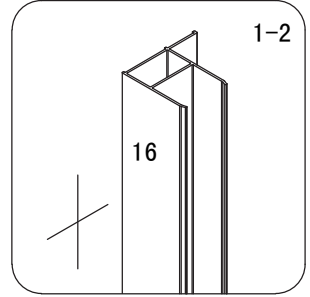


| | | | | | | | |
|---|--|---|---|--|---|---|--|
| <p>① X 2</p>  | <p>② X 4</p> <p>ST4X20</p>  | <p>③ X 2</p>  | <p>④ X 16</p>  | <p>⑤ X 16</p>  | <p>⑥ X 4</p>  | <p>⑦ X 2</p>  | <p>⑧ X 1</p>  |
| <p>⑨ X 1</p>  | <p>⑩ X 1</p>  | <p>⑪ X 1</p>  | <p>⑫ X 1</p>  | <p>⑬ X 11</p> <p>φ6X30</p>  | <p>⑭ X 1</p>  | <p>⑮ X 4</p> <p>M6X16</p>  | <p>⑯ X 2</p>  |
| <p>⑰ X 12</p> <p>ST4X35</p>  | <p>⑱ X 3</p> <p>ST4X50</p>  | <p>⑲ X 16</p> <p>ST4X12</p>  | <p>⑳ X 3</p>  | <p>㉑ X 1</p>  | <p>㉒ X 1</p>  | <p>4mm / 2mm</p>  | |

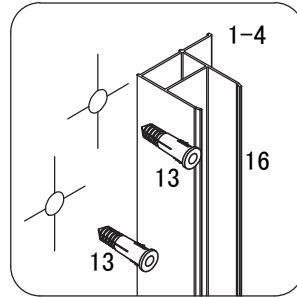
1



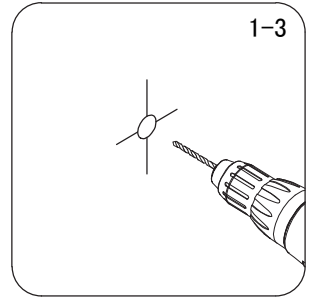
1-1



1-2



1-4



1-3



ø6



ø6X30



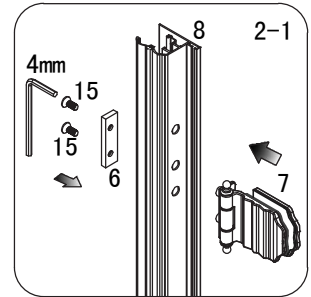
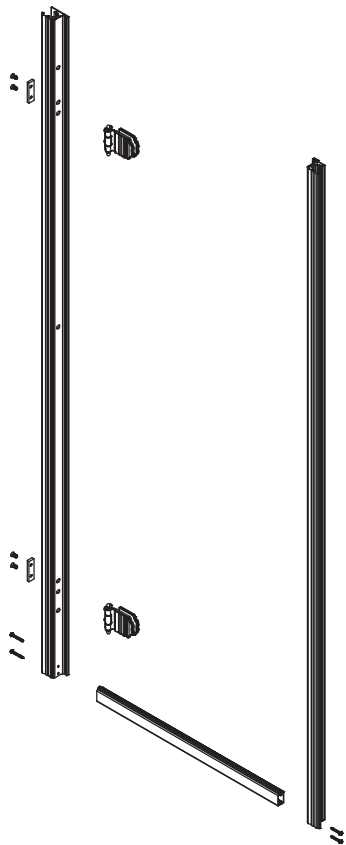
ST4X35



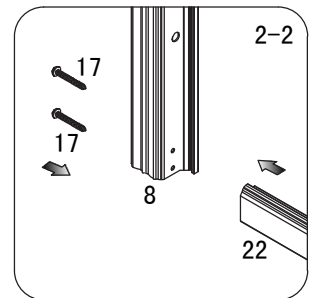
ST4X35

3

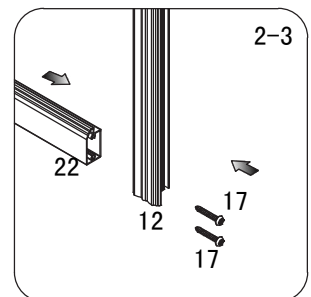
2



2-1

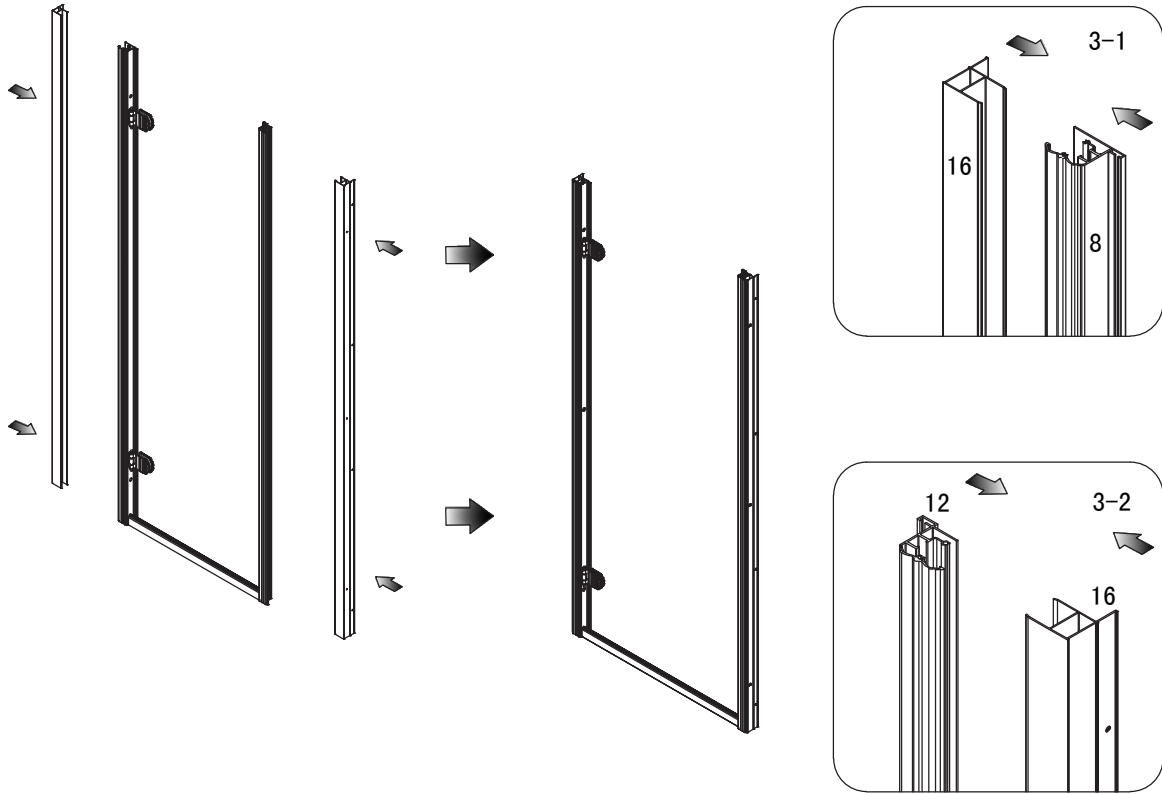


2-2

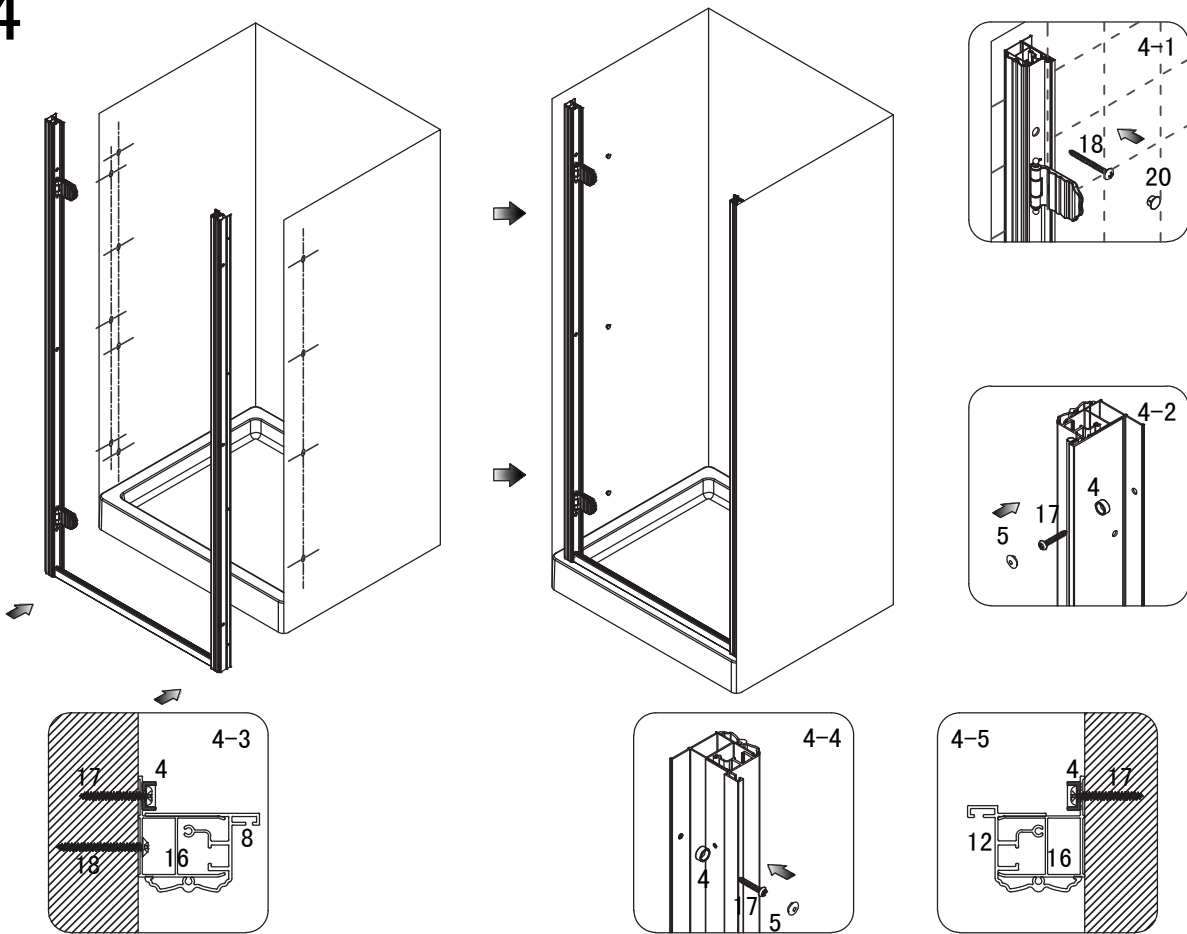


2-3

3

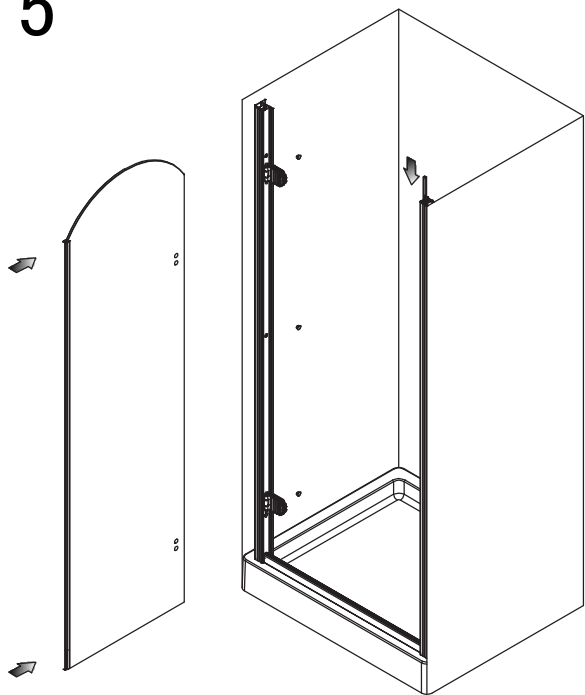


4

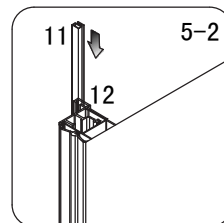
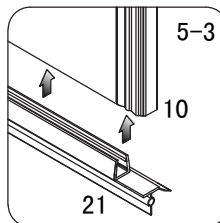
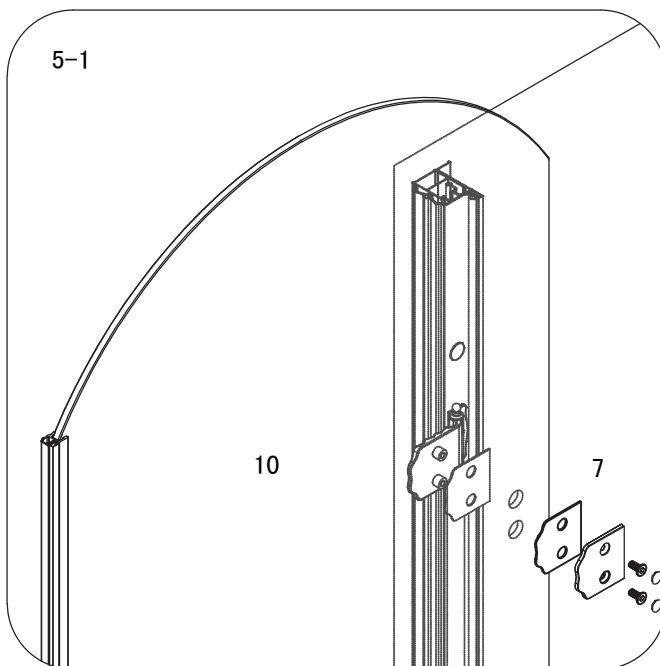


4

5

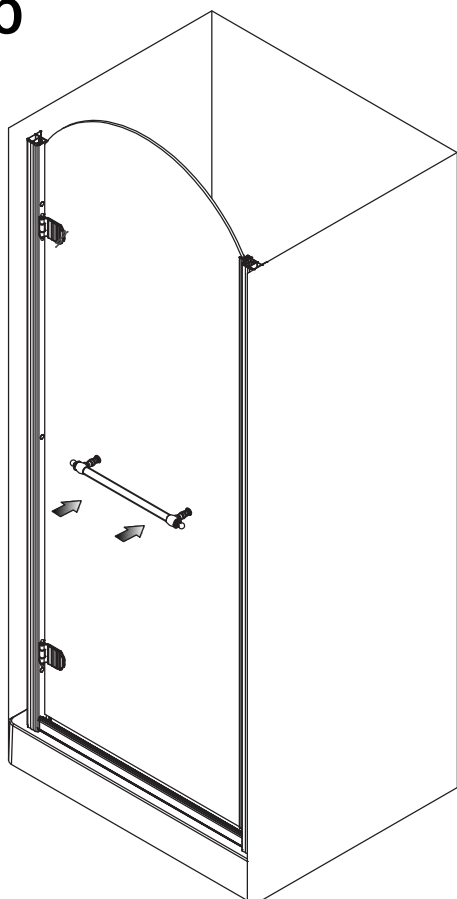


5-1

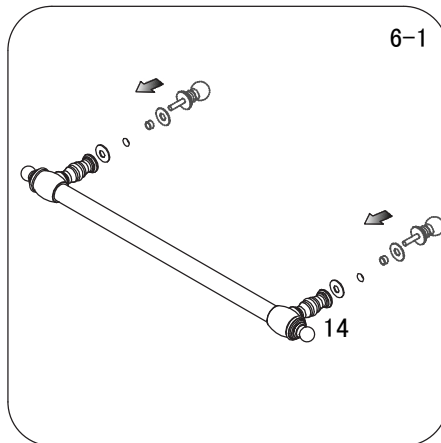


5

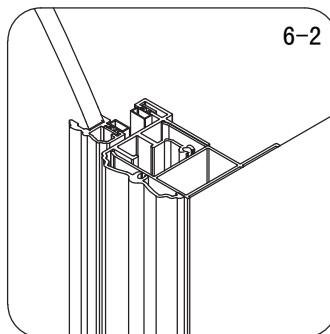
6



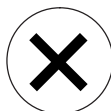
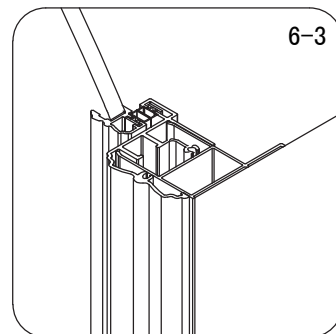
6-1



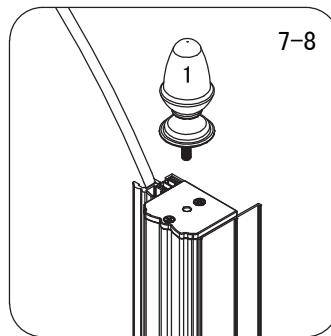
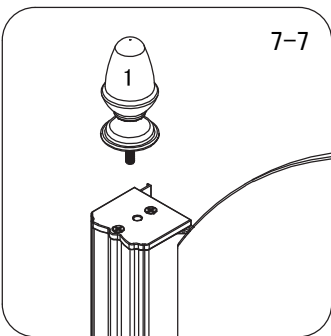
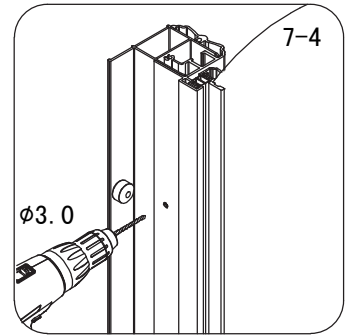
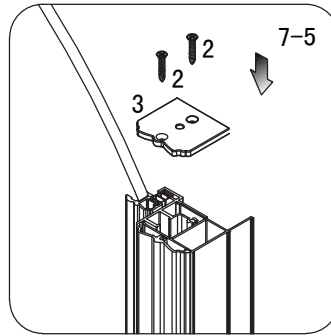
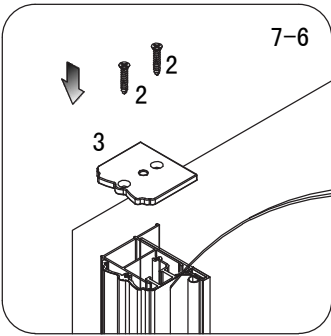
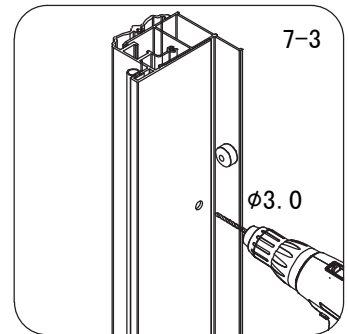
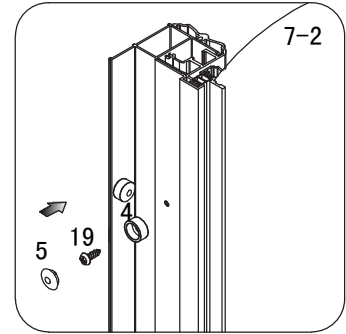
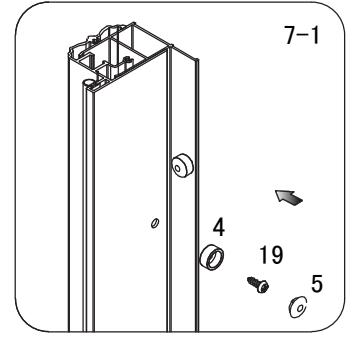
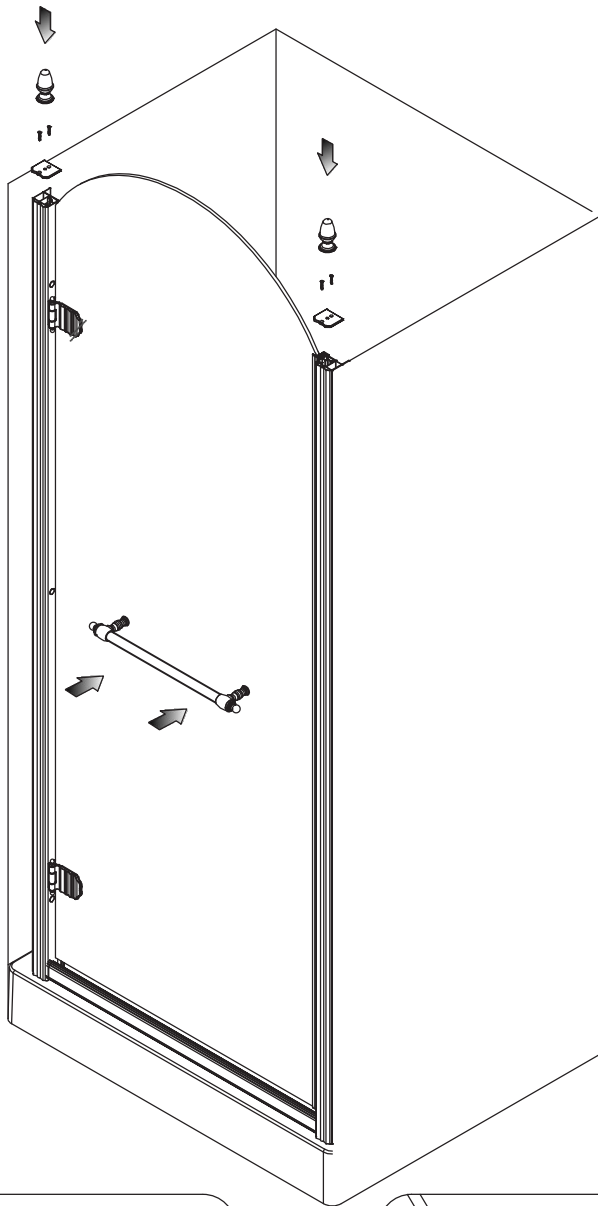
6-2



6-3



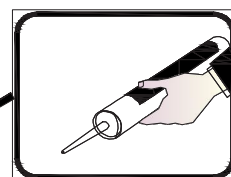
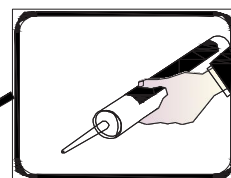
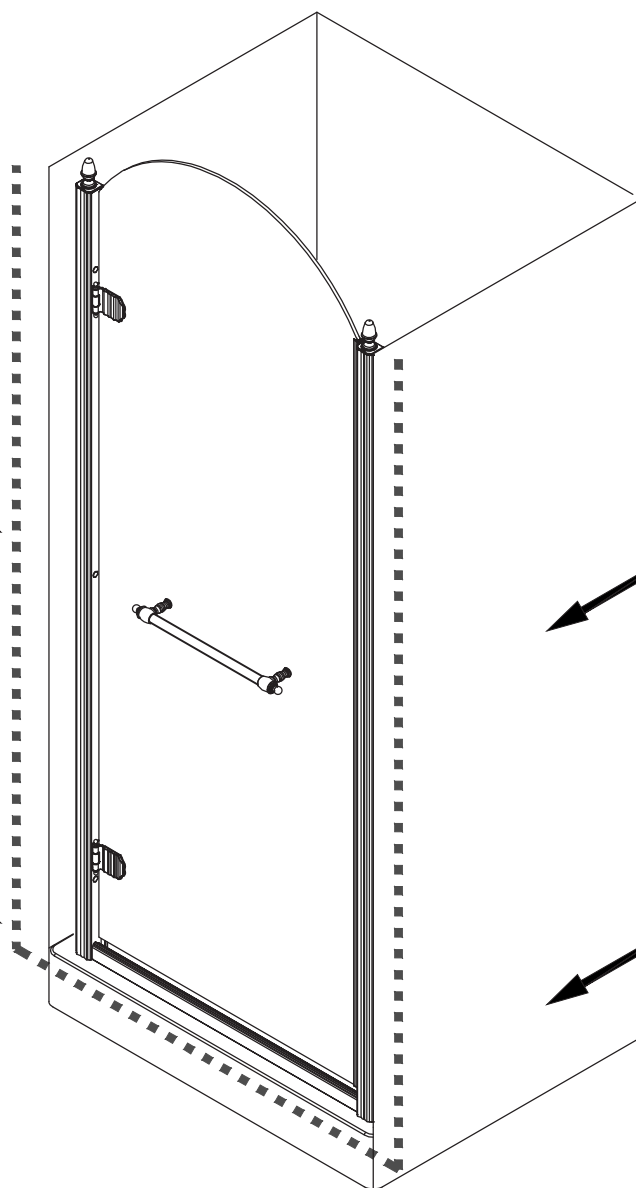
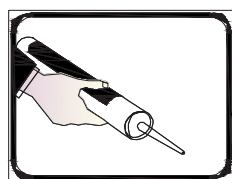
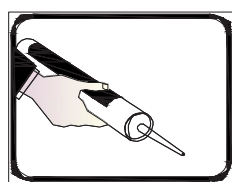
7



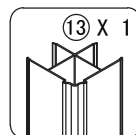
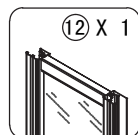
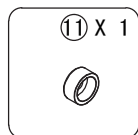
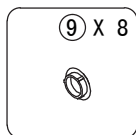
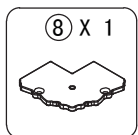
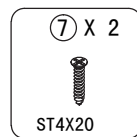
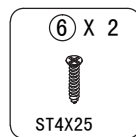
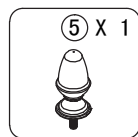
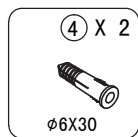
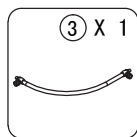
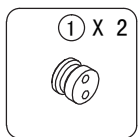
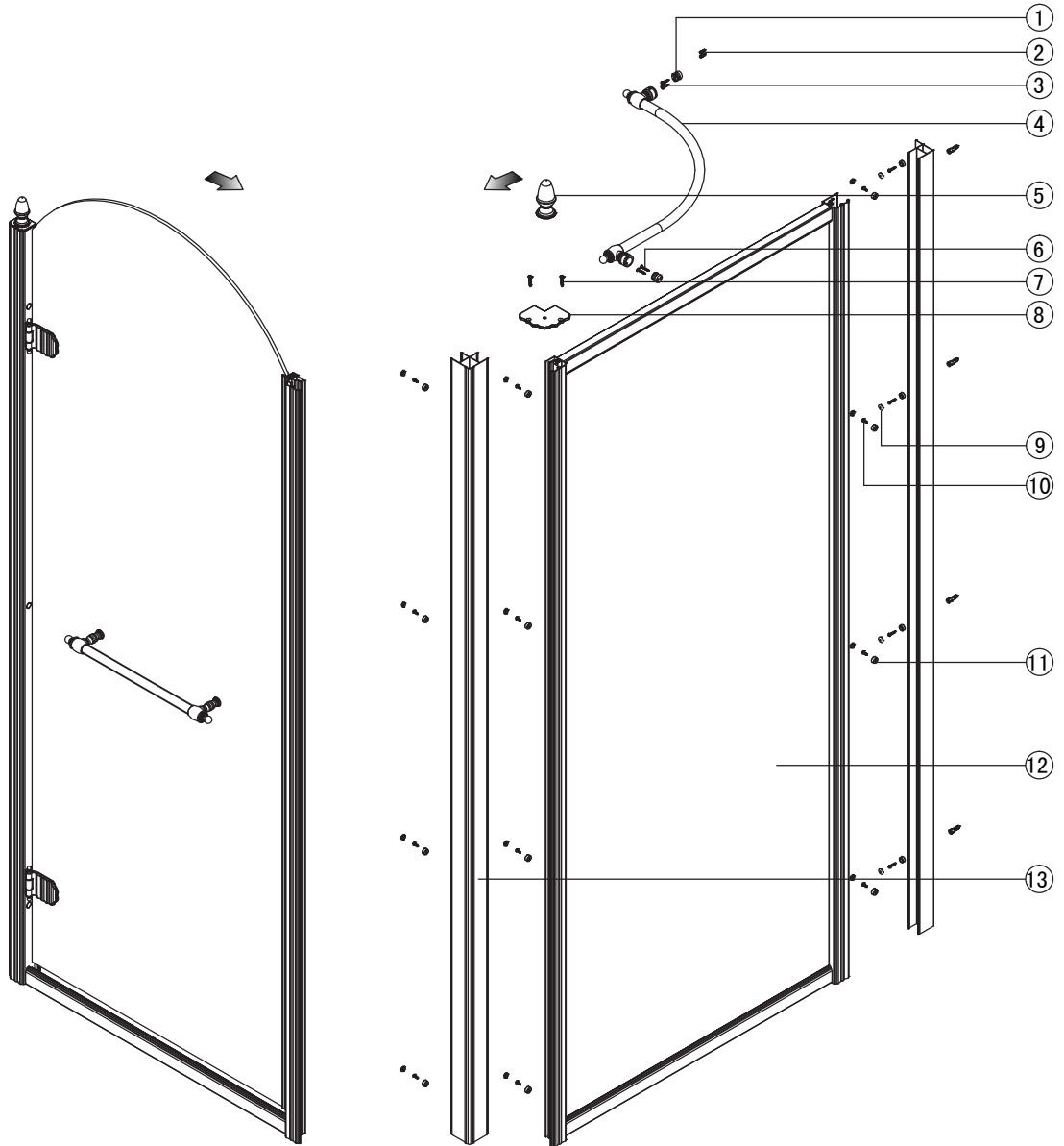
6

8

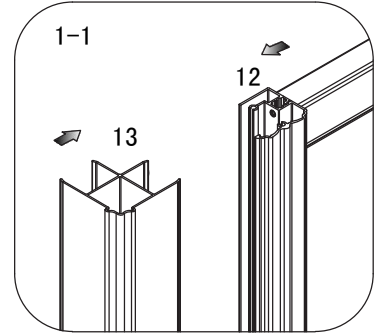
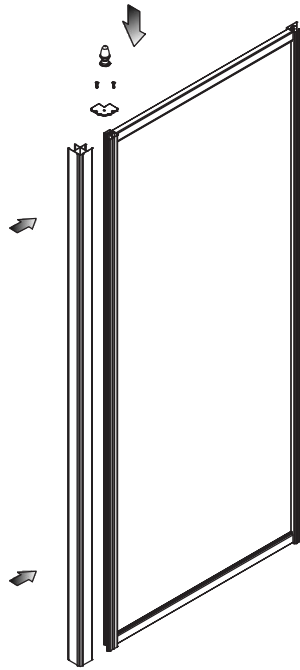
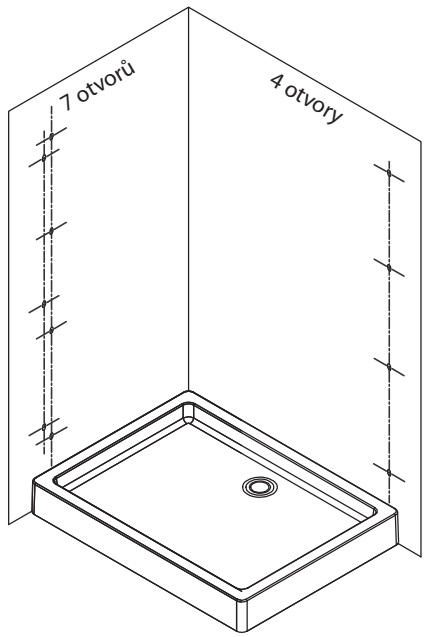
7



GQ5680, GQ5690

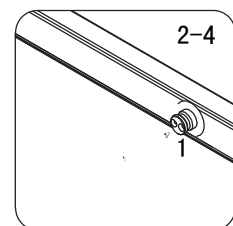
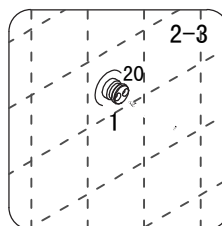
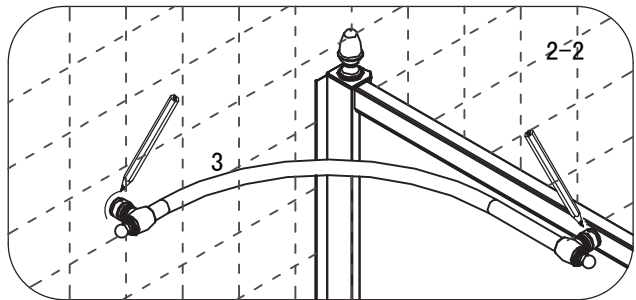
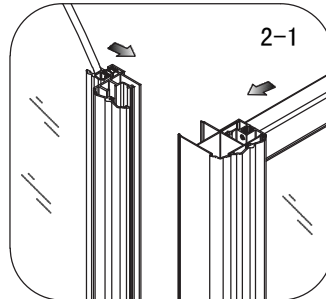
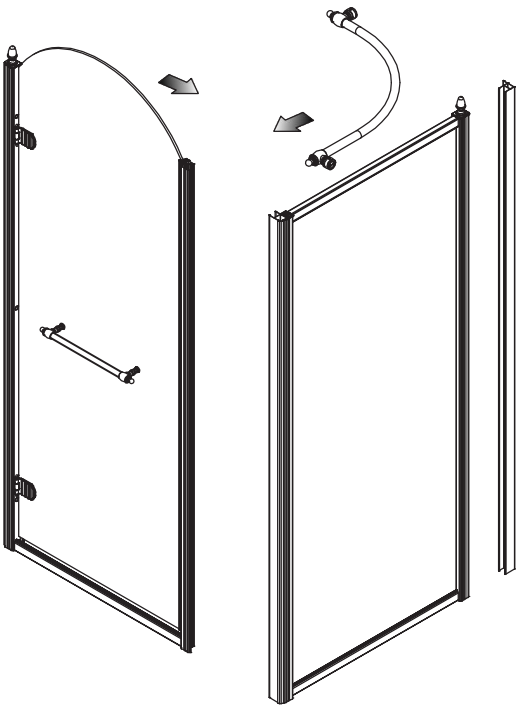


1

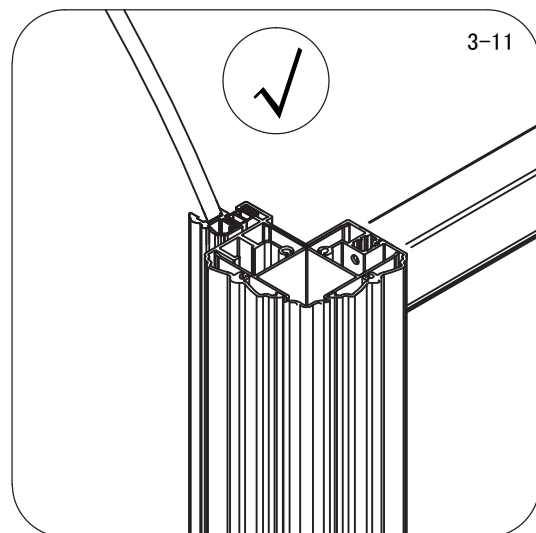
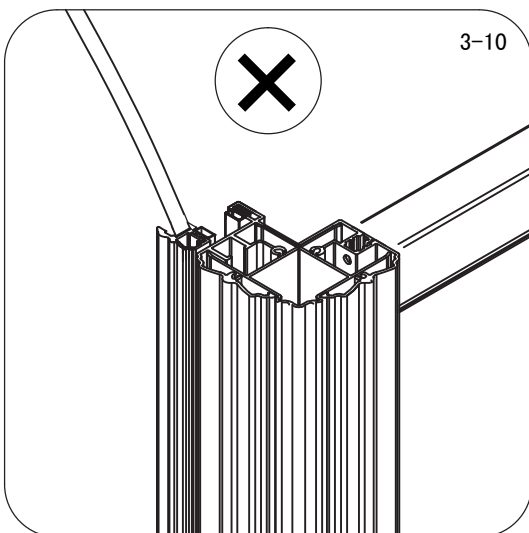
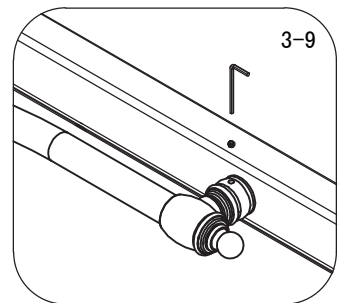
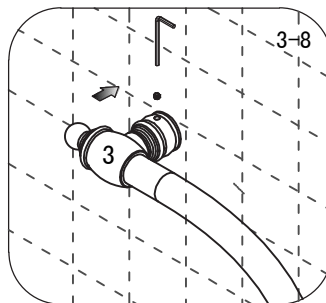
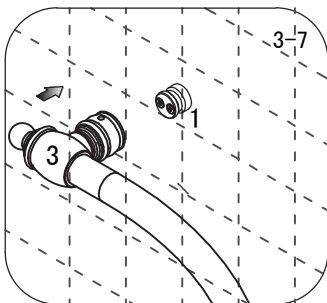
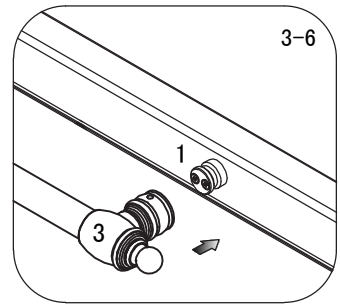
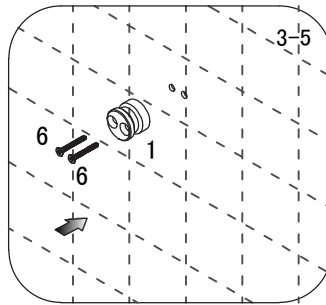
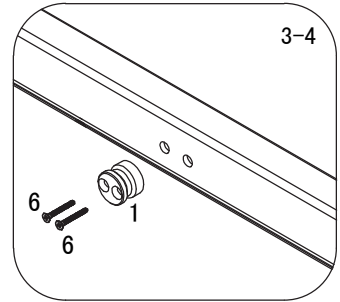
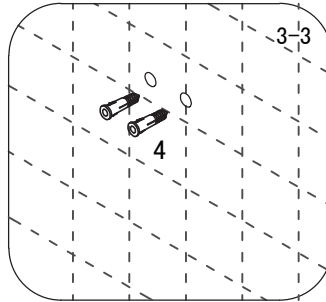
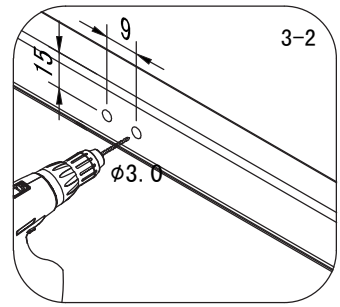
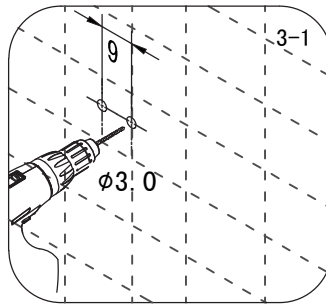
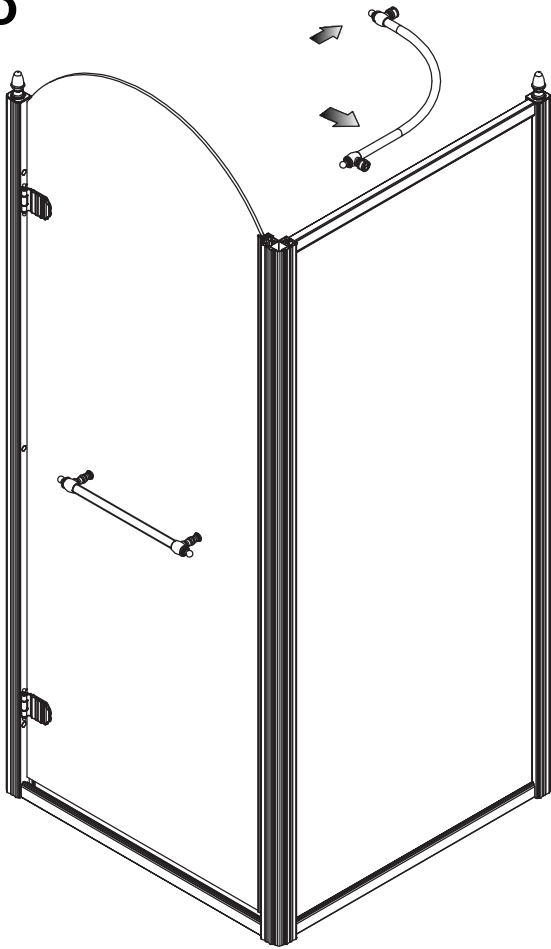


9

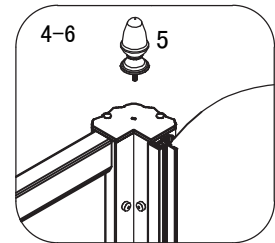
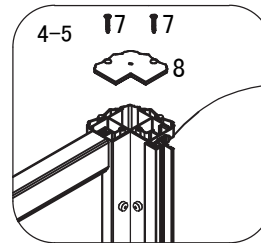
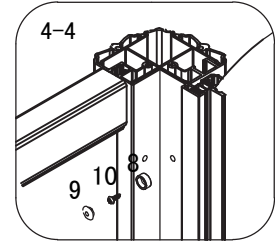
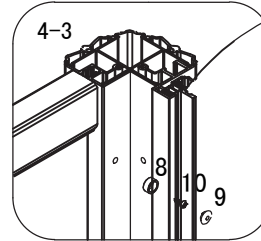
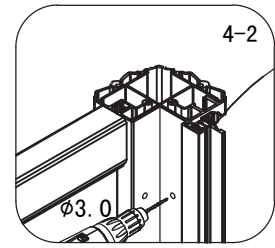
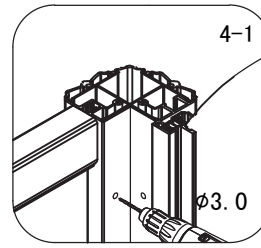
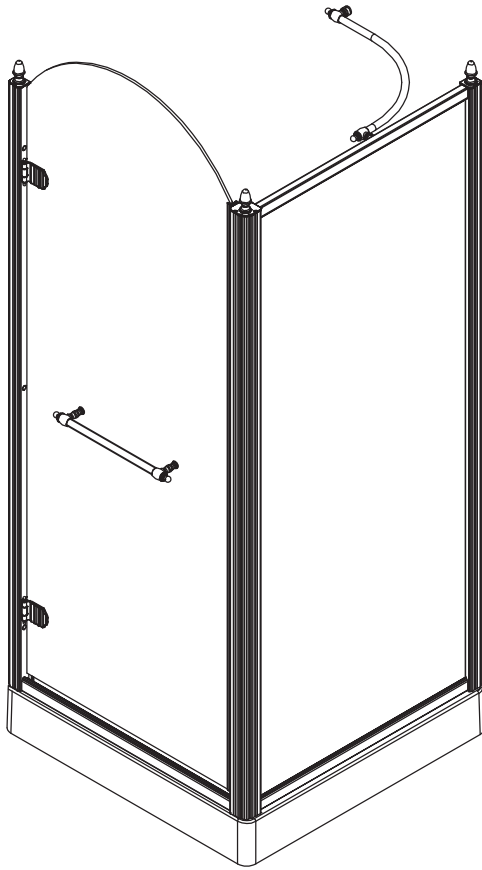
2



3



4



11

5

