



**SPARE PARTS CATALOGUE  
MODEL MOMENTS**

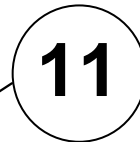
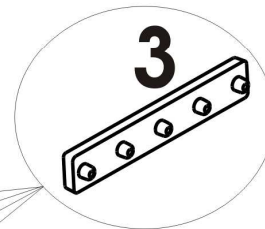
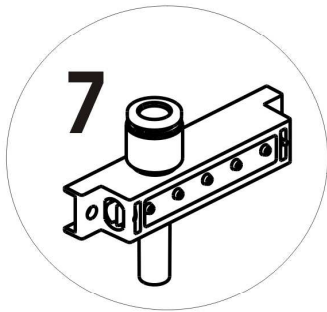
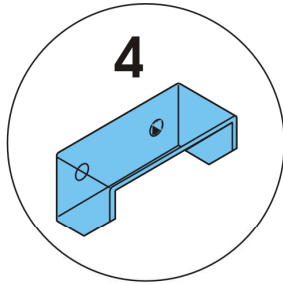
**After Sales  
Bathing & Wellness**

<b>Product type</b>	TOTEM	<b>Document N°:</b>	<b>Version 5-2009</b>
<b>Product Model</b>	TOTEM MOMENTS DESIGN K6190AA	<b>Data:</b>	26.10.2009
<b>Target</b>	After sales use only	<b>Comments</b>	

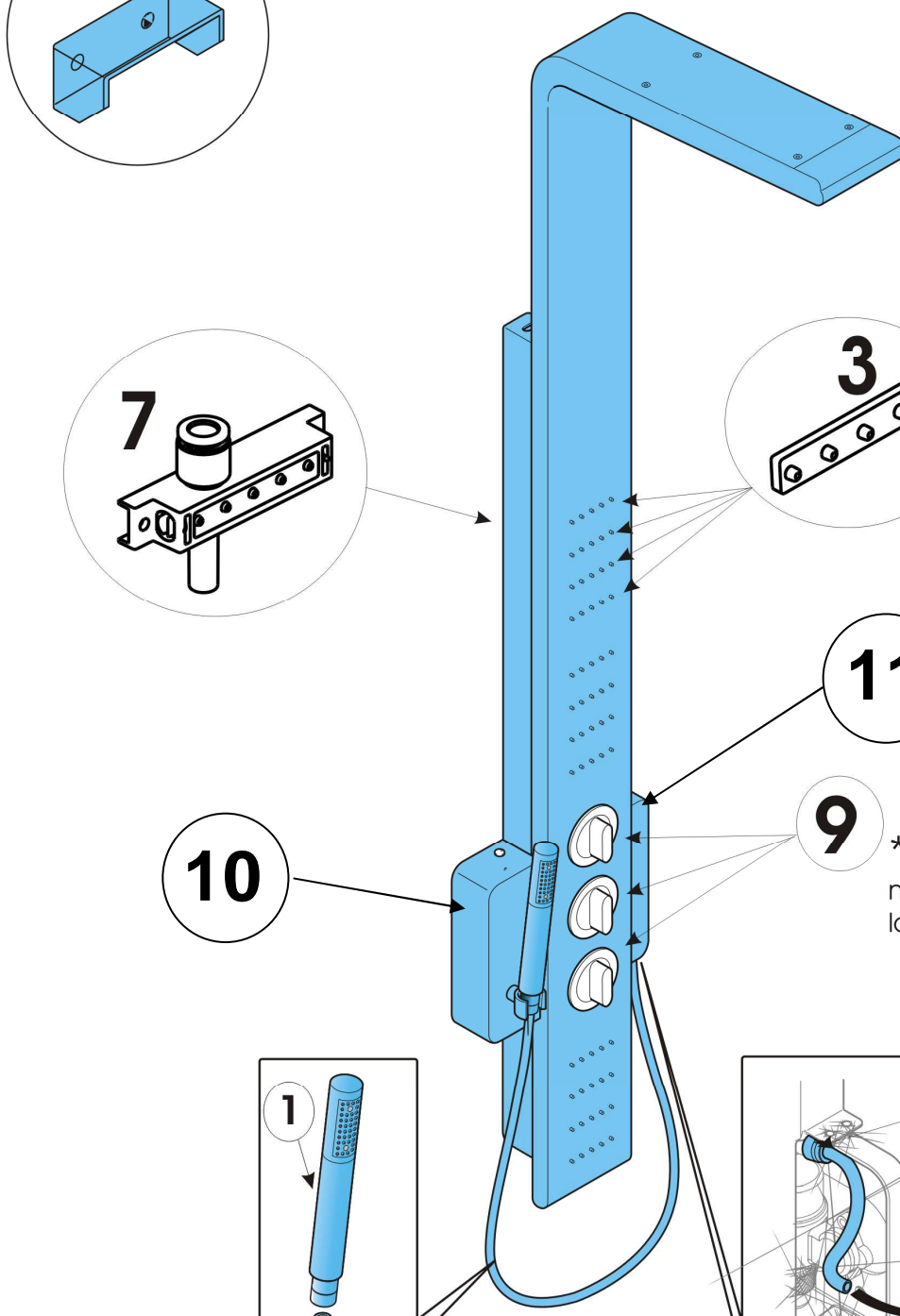
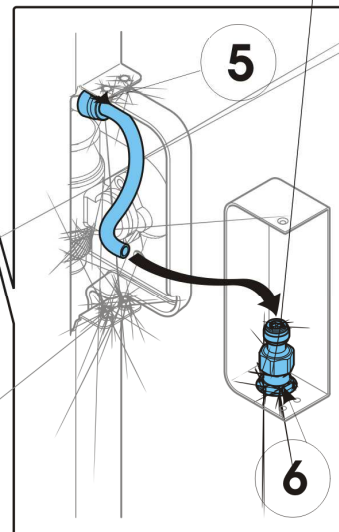
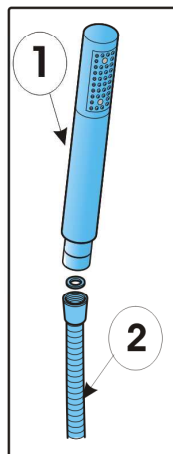
# TOTEM MOMENTS DESIGN

DRAWING 1

**8** TECHNICAL DOCUMENTATION KIT



\*Per i particolari del miscelatore consultare la pagina dedicata



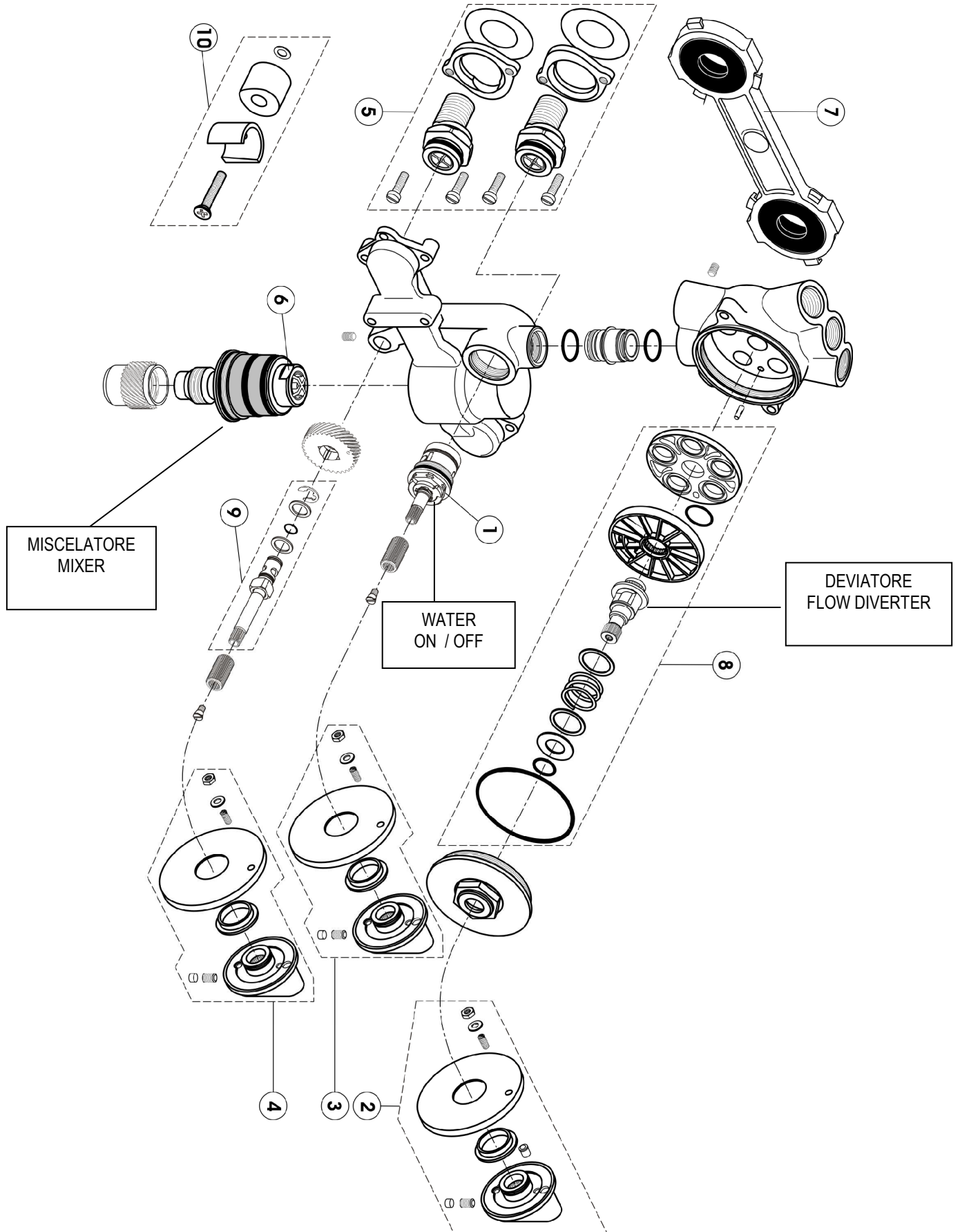
**TOTEM MOMENTS****Version 5-2009**

POSITION	CODE	DESCRIZIONE ITA	UK DESCRIPTION	COLOUR
1	T6760AA	DOCETTA STILO ART.A0105FA CROM C/IMB	STYLO-A0105FA 1F HANDSPRAY SILC NOZZ CHR	CR
2A	T6737AA	FLESSIBILE 1,25M IDEALFLEX CR C/IMB	FLEXIBLE 1,25m IDEALFLEX CR/IMB.	CR
2B	T000207AA	FLESS.CROMOLUX BOSS.1,75M1/2" F/FCR C/IMB	FLEXIBLE 1,75m CROMOLUX CR/IMB.	CR
3	T654367	GUARN.GETTO IN LINEA C/ATT.RAP.(4PZ)C/IM	GASKET (4PCS) W/BOX	-
4	T654467	STAFFA SUPPORTO TOTEM MOMENTS C/IMB	SUPPORT STIRRUP TOTEM MOMENTS W/BOX	-
5	T672767	RACCORDO C/ATT.RAP.GOMITO 90°D.10 (5PZ)	CONN.W/FAST JOIN ELBOW 90°D.10 (5PCS)	-
6	T654567	RACCORDO RAP.DIR.10X1/2F C/GHIERA+NIPPLO	CONNECTION 10X1/2F W/PLUG + NIPPLES	-
7	T678367	GETTO IN LINEA C/ATT. RAP. (4 PZ)	LINE JET W/FAST JOIN (4 PZ)	-
8	T654267	MANUALI + SCH.TECN. TOTEM MOMENTS	INST.MANUAL + TECH.SCH. TOTEM MOMENTS	-
9	A950795NU	MISCELATORE TERMOSTATICO CON DEV.5 VIE	BODY SINGLE TH.CADRIDGE ASS.+6/5 WAY DIV	CR
10	T000714AA	COVER SX INOX TOTEM MOMENTS C/IMB	LATERAL CHROME COVER LEFT W/BOX	CR
11	T000715AA	COVER DX INOX TOTEM MOMENTS C/IMB	LATERAL CHROME COVER RIGHT W/BOX	CR

**\*DA FEBBRAIO 2007 I FLESSIBILI IMPIEGATI SUL TOTEM SONO LUNGHI 1.75M E NON PIU' 1.25M.**

**\*FROM FEBRUARY 2007 WE USE FLEXIBLE LONGER THAN THE PAST: FROM 1.25M TO 1.75M**

**DRAWING 2**



**TOTEM MOMENTS****Version 5-2009**

POSITION	CODE	DESCRIZIONE ITA	UK DESCRIPTION	COLOUR
1	A961087NU	CARTUCCIA .3/4'	CARTRIDGE .3/4'	-
2	A961103AA	MANIGLIA PER LA COMMUTAZIONE	HANDLE FOR DIVERTER	CR
3	A961104AA	MANIGLIA PER L'APERTURA/CHIUSURA	HANDLE FOR ADJUSTEMENT	CR
4	A961105AA	MANIGLIA PER LA TEMPERATURA	HANDLE FOR TEMPERATURE	CR
5	A961097NU	ATTACCHI ECCENTRICI G1/2	ECCENTRIC CONNECTIONS G1/25	-
6	A961094NU	CARTUCCIA .3/4'M.MEMBRANE TR.GEW.	CARTRIDGE .3/4'M.MEMBRANE TR.GEW.	-
7	A961096NU	DIMA PER RUBINETTERIA	TEMPLATE	-
8	A961086NU	KIT O RING PER DEVIATORE	O RING KIT FOR DIVERTOR	-
9	A961090NU	REGOLATORE DI TEMPERATURA	TEMPERATURE REGULATOR	-
10	A961102AA	SUPPORTO DOCCETTA	HOLDER FOR SHOWER	CR



**TOTEM MOMENTS**

**Version 5-2009**

**ALL THIS DOCUMENTS ARE AVAILABLE AS PDF FILE ON  
INTRANET \\Exceubonn03\wellness\_tech\_docs**