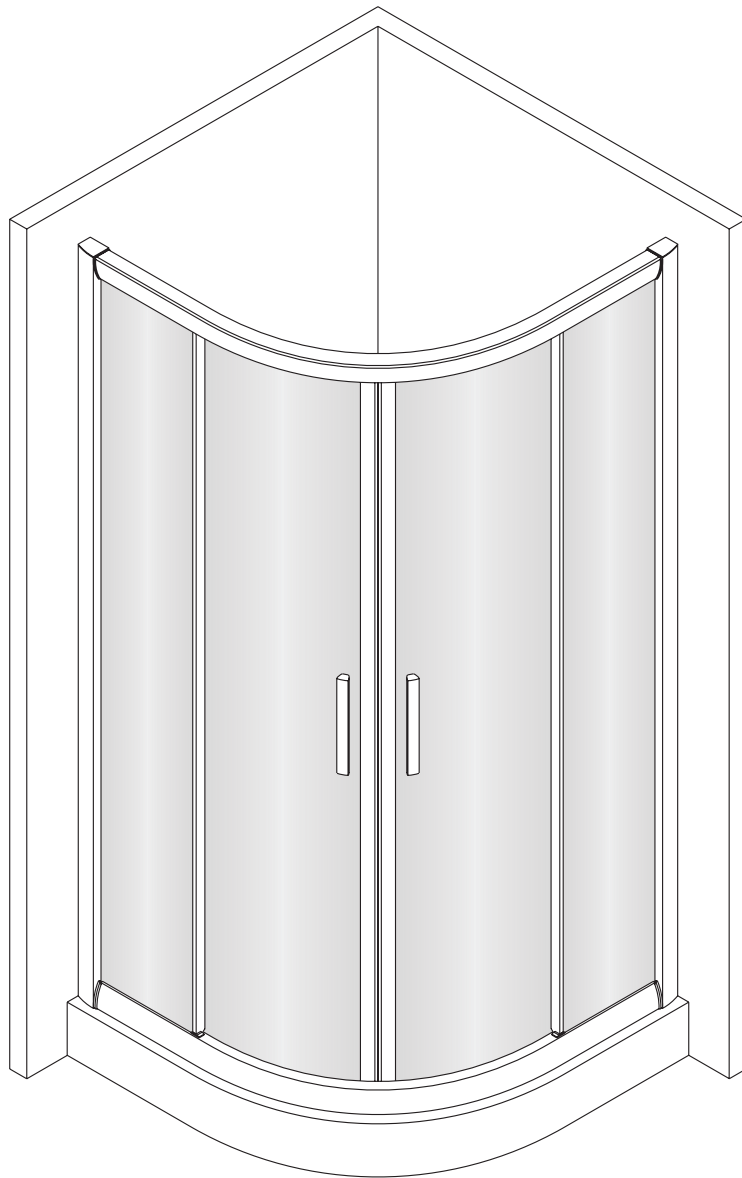
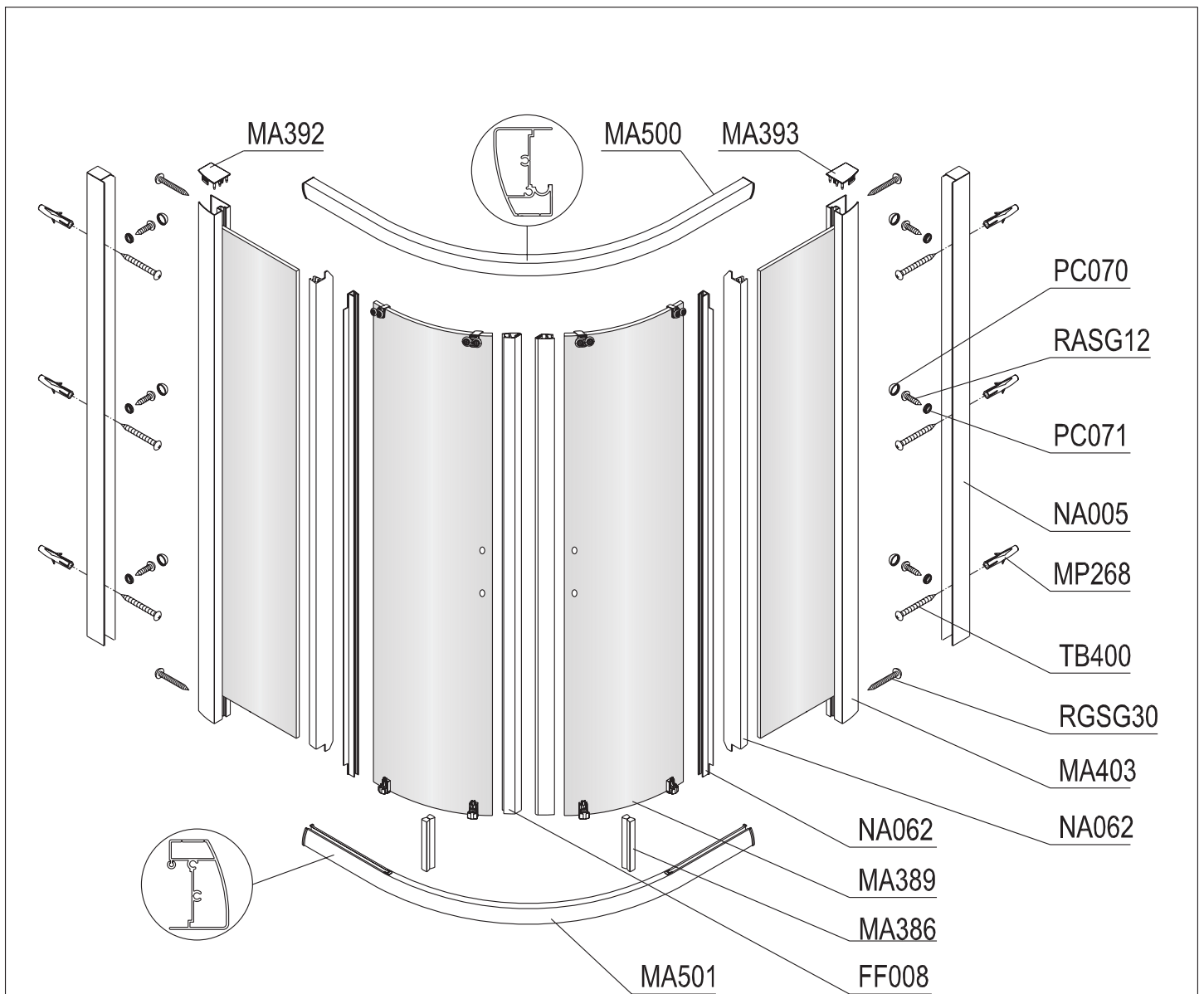



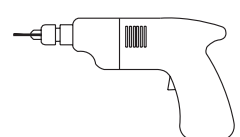

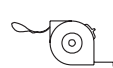
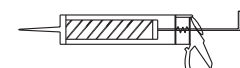
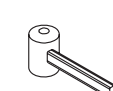

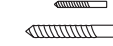



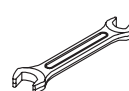
BLIX BLCP4 - 80, 90

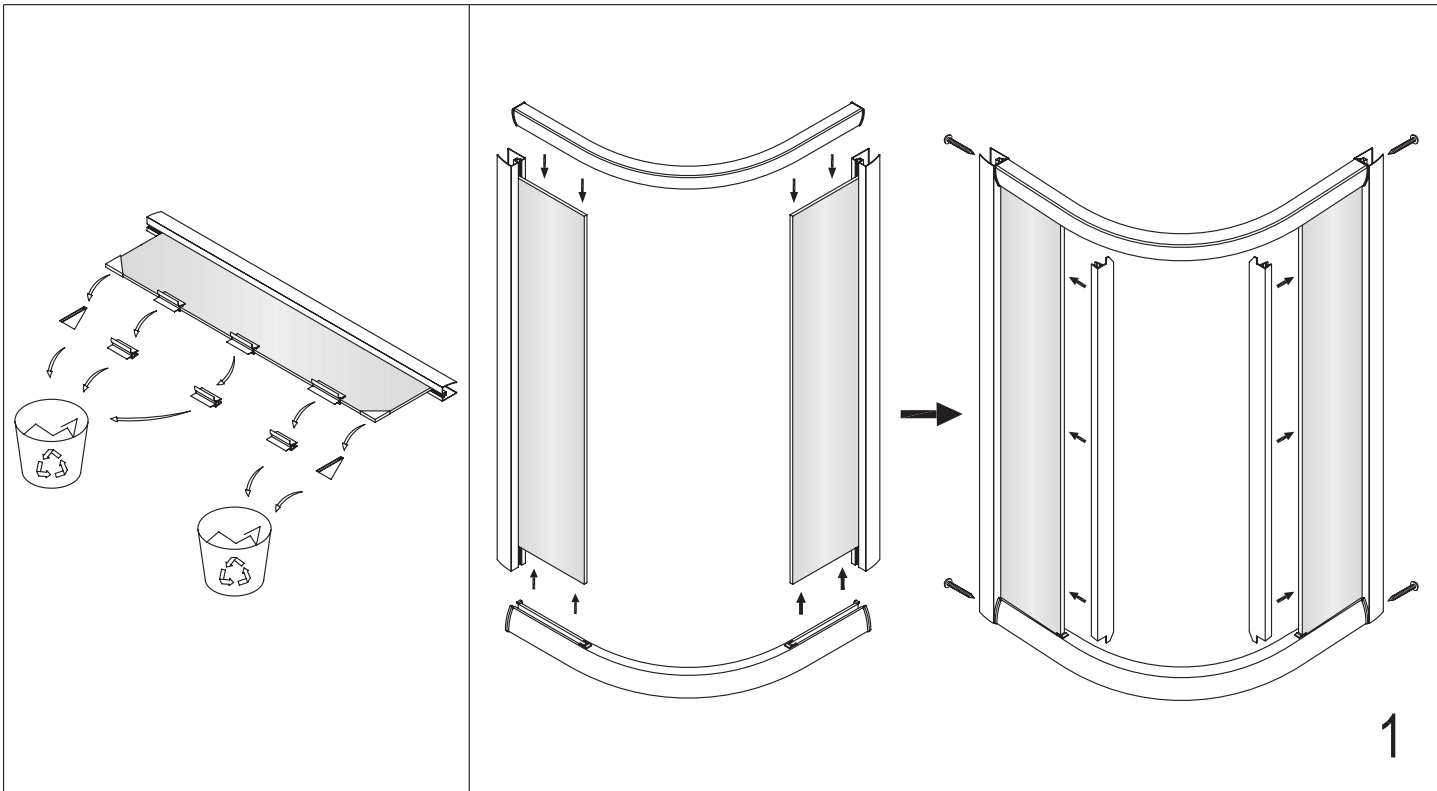
N-RR80 N-RR90 Instruction Manual



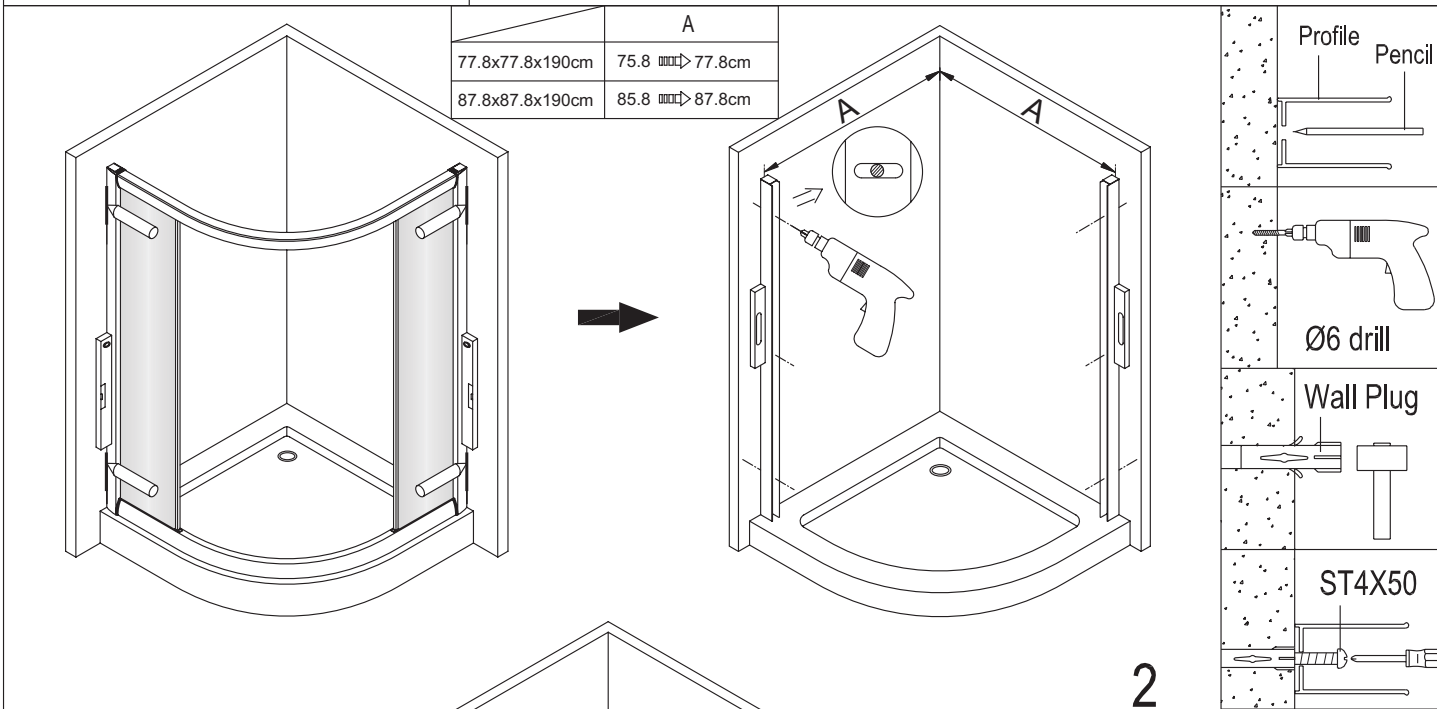


GD041		2.5mm 1x
-------	---	----------

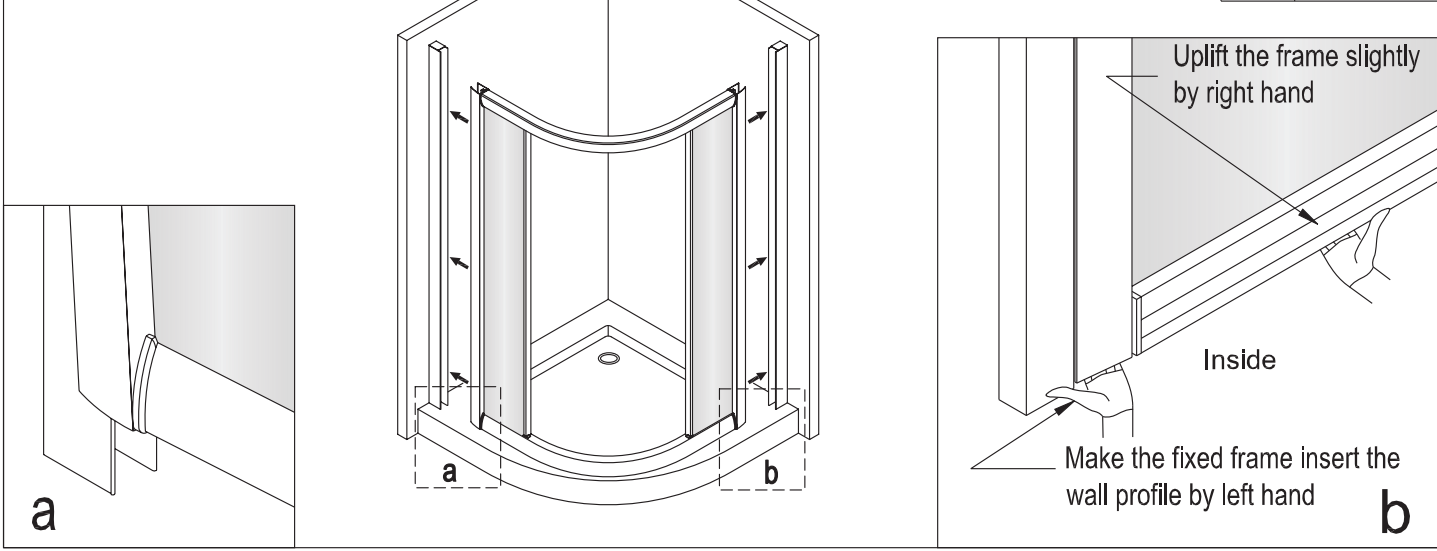
Code	Description	Quantity	TOOLS REQUIRED	
MA501	Bottom track	1	          	
FF008	Magnetic strip	2		
MA386	Handle	2		
MA389	Door panel	2		
NA062	Waterproof strip (door panel)	2		
NA062	Waterproof strip (fixed panel)	2		
MA403	Fixed panel	2		
RGSG30	ST4x30 screw	4		
TB400	ST4x50 screw	6		
MP268	Wall plug	6		
NA005	Wall profile	2		
PC071	Washer	6		
RASG12	ST4x12 screw	6		
PC070	Screw cap	6		
MA393	Adjustable profile cap (Right)	1		
MA500	Top track	1		
MA392	Adjustable profile cap (Left)	1		
GD041	Allen key 2.5mm	1		

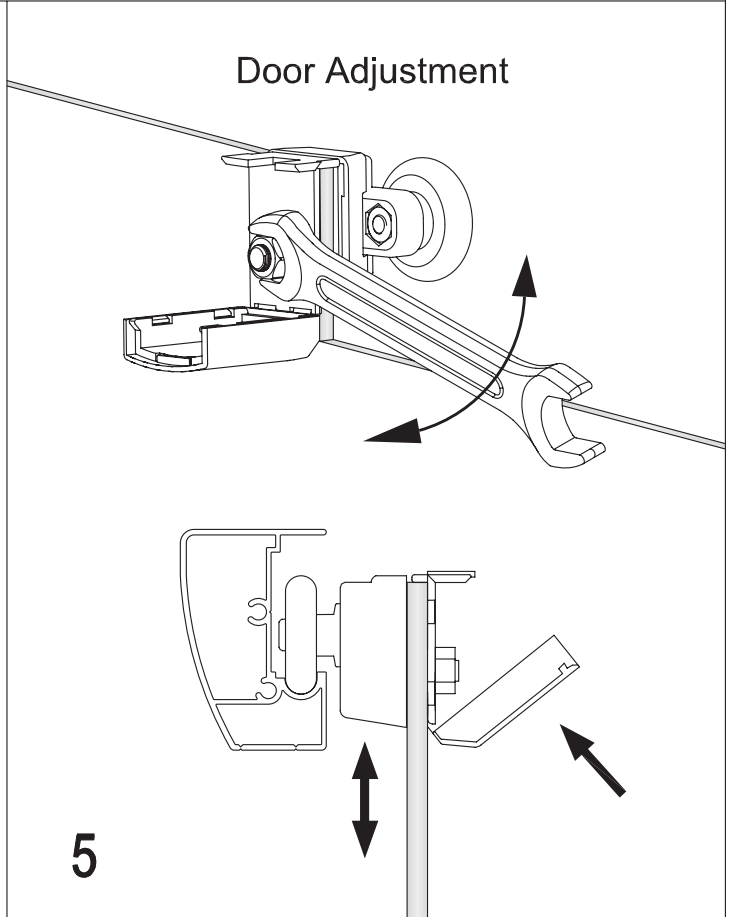
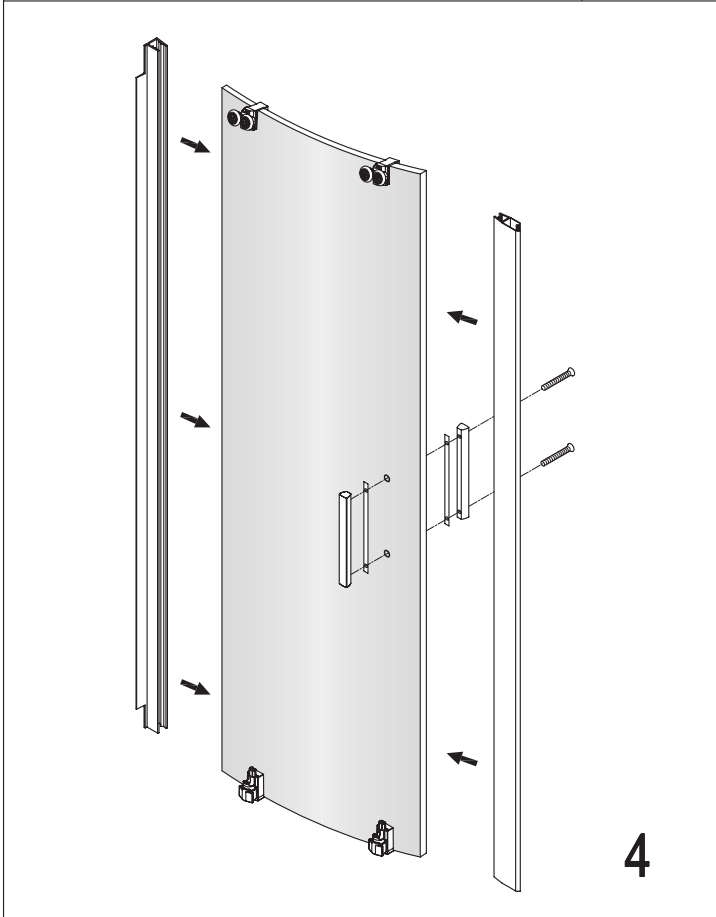
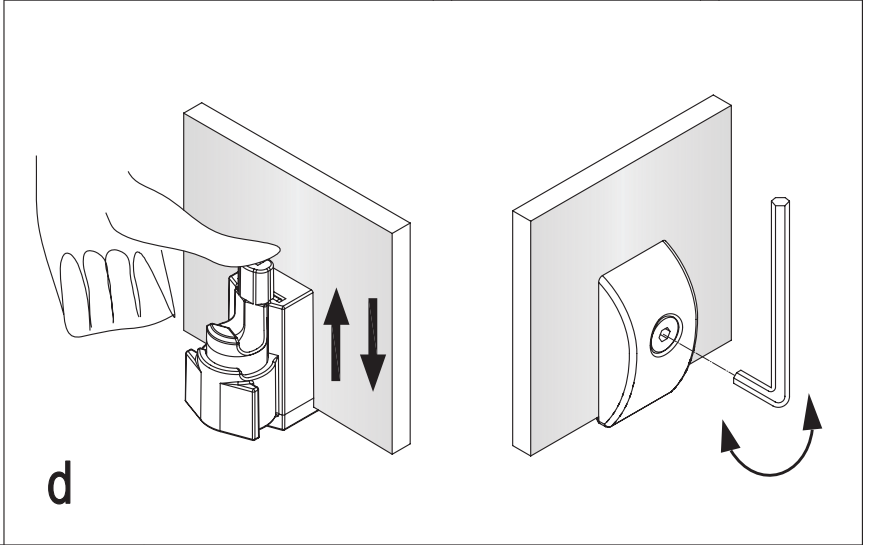
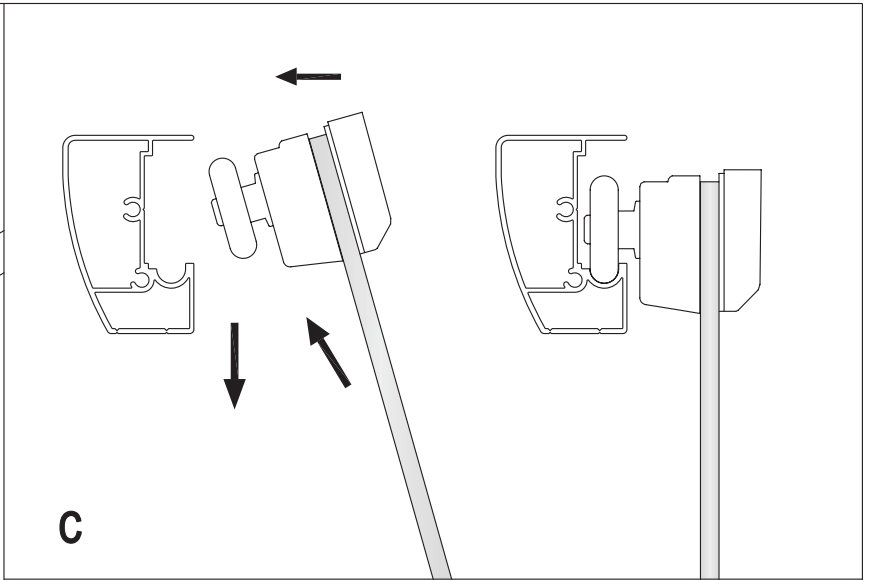
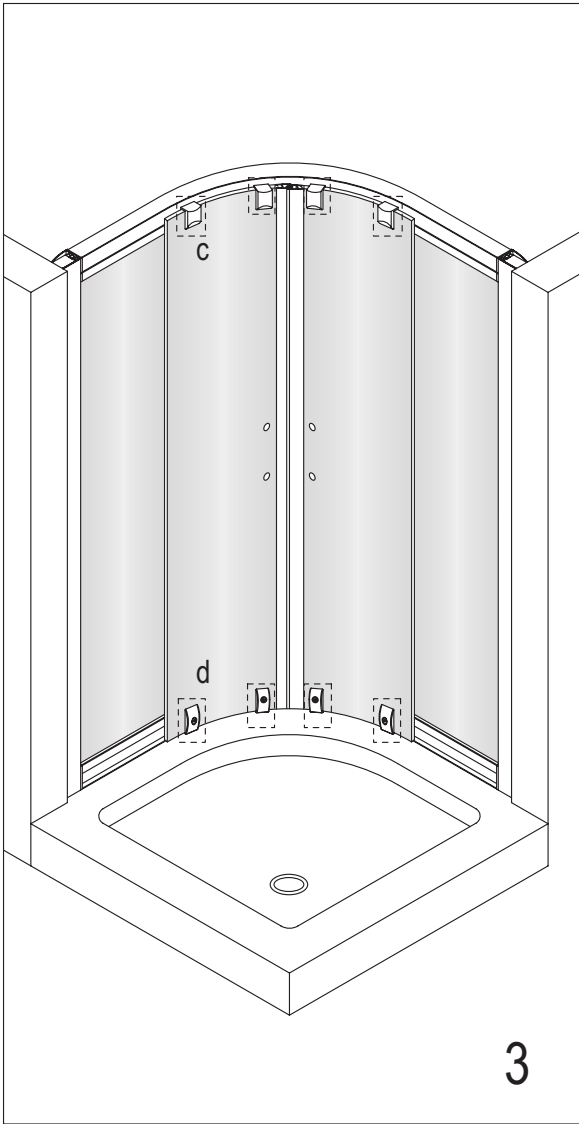


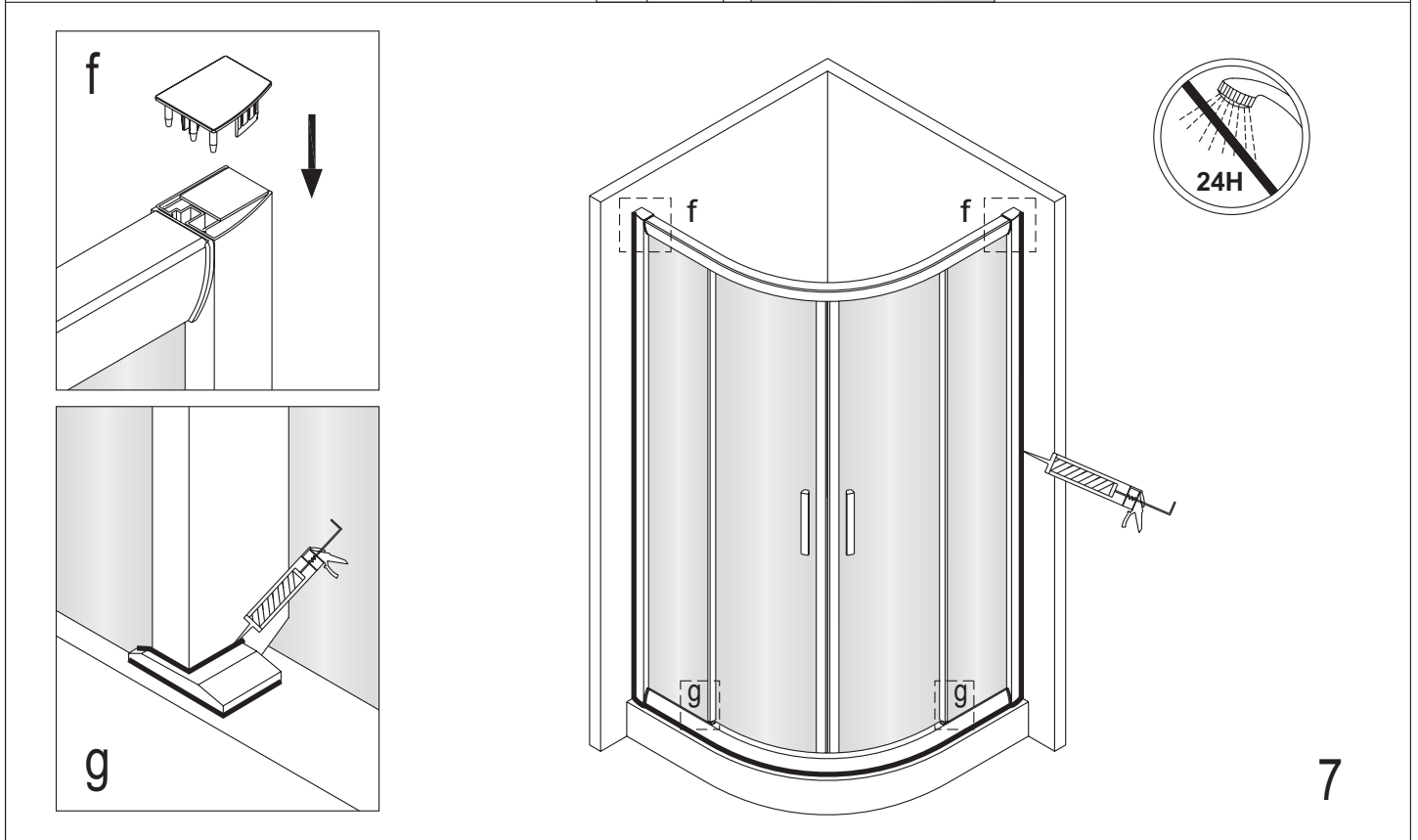
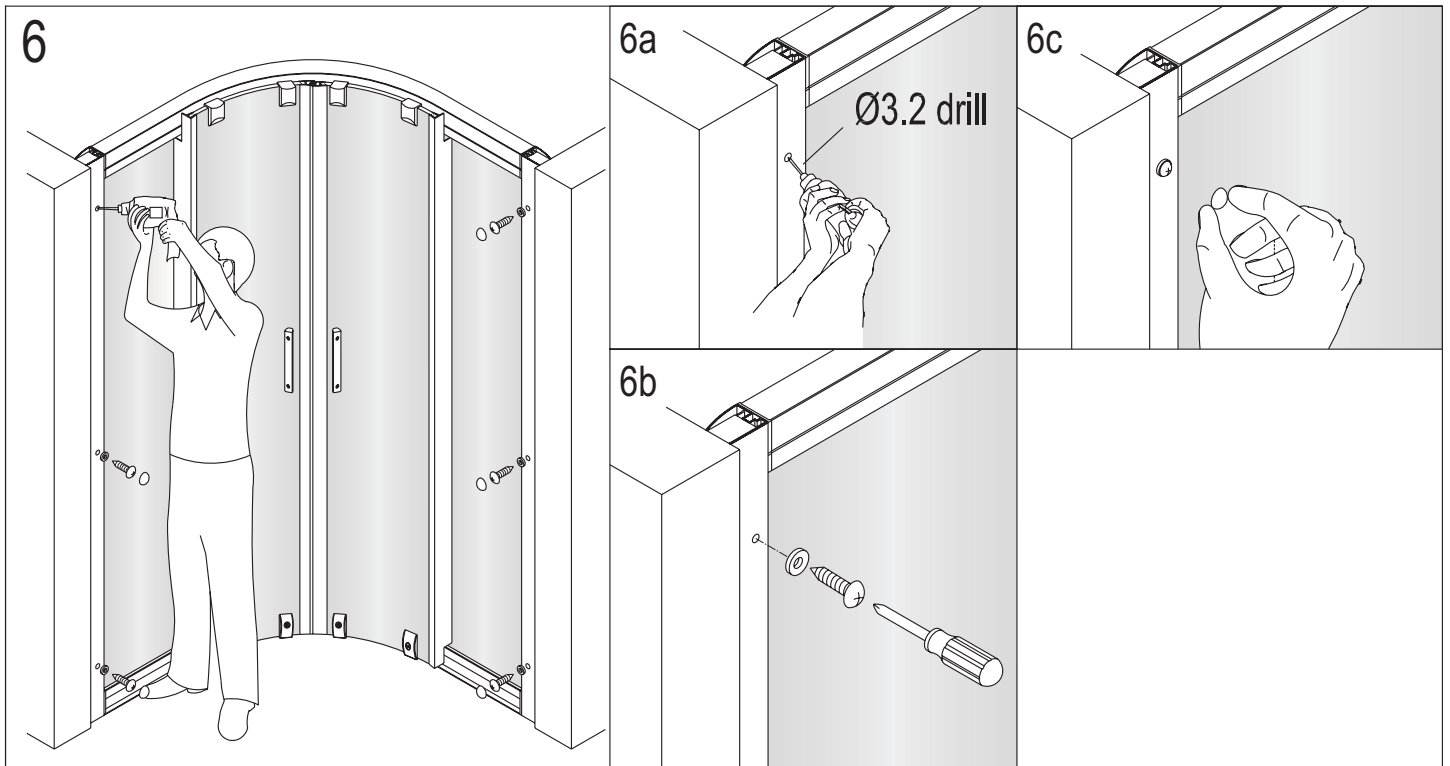
1



2







Care Instructions:

- Do not use your shower enclosure within 24 hours of assembly
- Do not use caustic cleaning products or abrasive material when cleaning your shower enclosure