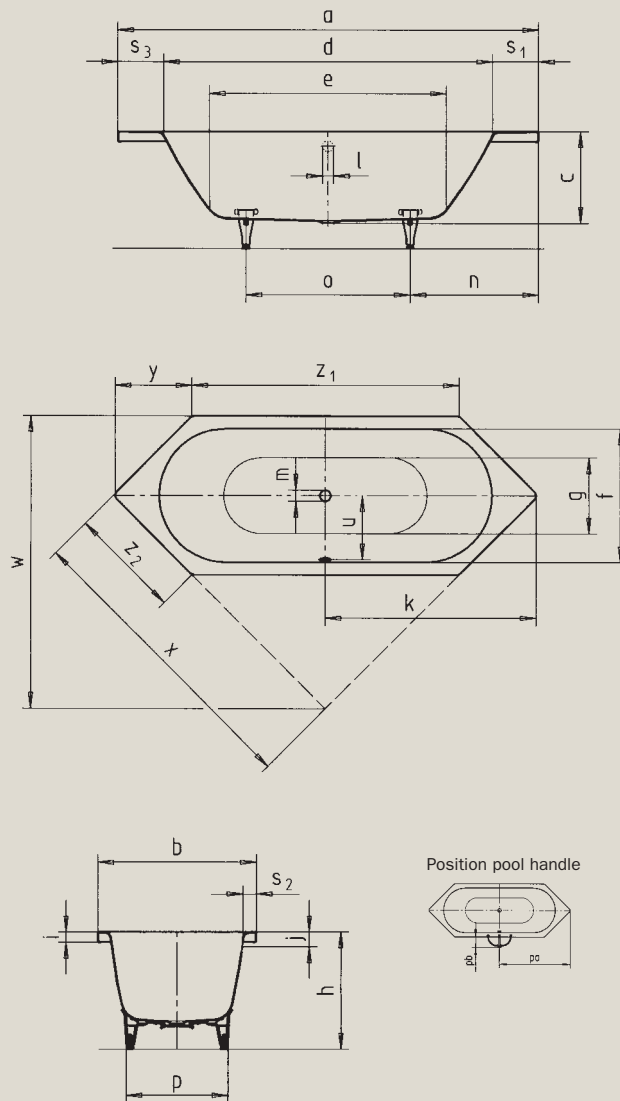


CENTRO DUO 6

- puristic simplicity and unpretentious elegance are what distinguish these bathtubs
- bathing with a friend: two identical back rests and centrally positioned outlet
- diverse installation possibilities, also corner installation



| Model no. | 134 | |
|---|--|-----------------|
| External length | a | 2000 mm |
| External width | b | 750 mm |
| Depth | c | 470 mm |
| Internal length (top) | d | 1580 mm |
| Internal length (bottom) | e | 1130 mm |
| Internal width (top) | f | 630 mm |
| Internal width (bottom) | g | 510 mm |
| Height with feet | h | 605-640 mm |
| Height of rim | i | 50 mm |
| Distance top edge to centre of overflow hole | j | 70 mm |
| Distance tub edge to centre of drain hole | k | 1000 mm |
| Diameter of overflow hole | l | 52 mm |
| Diameter of drain hole | m | 52 mm |
| Distance foot end of tub edge to centre of base | n | 710 mm |
| Distance between the feet | o | 580 mm |
| Max. width of feet | p | 465 mm |
| Distance tub edge to drilled hole in the middle | pa | 1000 mm |
| Max. overhang | pb | 146 mm |
| Width of rim (foot end; lengthwise) | S ₁ ; S ₂ ; S ₃ | 218; 60; 218 mm |
| Distance between centre holes | u | 307 mm |
| Installation dimension | w | 1335 mm |
| Side length; Fase | x; y | 1425; 365 mm |
| Side length | Z ₁ ; Z ₂ | 1270; 530 mm |
| Water volume** in litres | | 156 |
| Anti-slip | | Ø 435 mm |
| Full anti-slip | | 900 x 300 mm |

Subject to technical alterations and tolerances.
 ** 70 litres displacement on average.