



GARDEN TAP NANO DOUBLE MAC

JARDIN SERIE

SCOPE

NANO DOUBLE MAC taps are used in those plumbing installation which are required 2 independent outlets from a single connection to the drinking water network.

These taps incorporate ARCO anti-lime solution already present in other series such as valves A80, Washing Machine, Mini, ... This solution minimizes the effects of lime on the valves.

Its characteristics are particularly suitable for:

- Indoor facilities. Its small size makes it suitable for use inside homes (balcony, garages etc.) as auxiliary tap with 2 outlets.

- Yard, garden, terraces etc. have nozzles for hose and sprinkler timer connection.

These taps are operated by a quarter turn, make easier its accessibility in small spaces.

CONDICIONES DE SERVICIO

Nominal pressure: 16 bar.

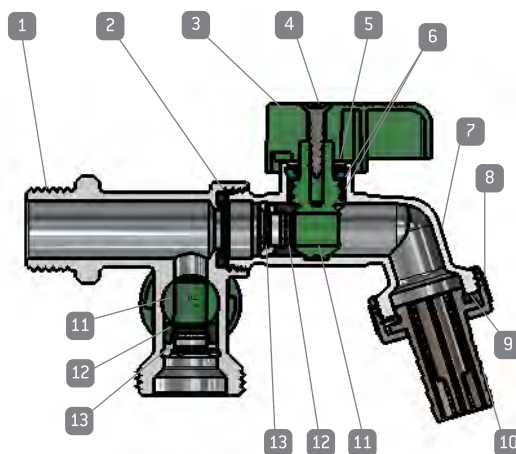
Test pressure: 25 bar.

Temperatures range: Cold water

Fluid: Water intended to human consumption

COMPONENTS

ITEM	COMPONENT	MATERIAL	TREATMENT
1	Inlet body	European Brass CW614N	Chrome plated
2	Seal	NBR	
3	Handle	PA with UV protection	Green
4	Screw	Stainless steel	
5	Supporting clip	POM	
6	Seals	NBR	
7	Outlet body	European Brass CW614N	Chrome plated
8	Nut	European Brass CW617N	Chrome plated
9	Seal	NBR	
10	Coupling	European Brass CW617N	Chrome plated
11	Stem-ball	Anti-lime Polymer	
12	Seal	NBR	
13	Supporting clip	POM	



MAIN CONSTRUCTIVE FEATURES

ANTI-LIME STEM BALL

Stem and ball are manufactured in one whole piece made of anti-lime polymer, which increases its resistance and performance, avoiding lime effects.

This original ARCO's component has been designed to reduce loss of pressure, keeping a constant flow rate and avoiding noise. As well ball-stem's quarter turn system has the same fundamental features of leak tightness and low loss of pressure that you can find in the A-80 series.

The anti-lime stem-ball is the perfect solution to prevent lime problems, that can render useless the valve, and maintain the flow rate constant along the time, avoiding the lime to adhere, reducing the water flow.



MAIN CONSTRUCTIVE FEATURES (continued)

INTERNAL AND EXTERNAL LEAK TIGHTNESS

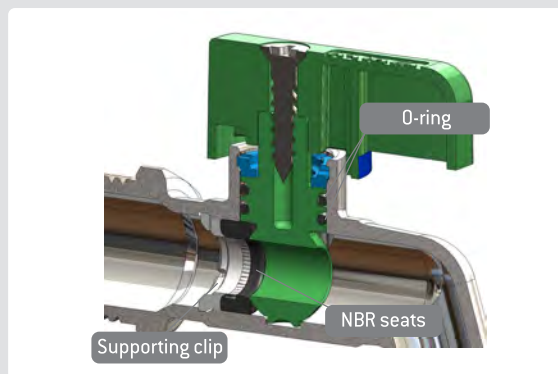
INTERNAL Leak tightness

The supporting clip made of POM is placed in the valve to push the NBR seat against the stem-ball.

This system cannot be dismantled, avoiding improper manipulations.

EXTERNAL leak tightness

A double NBR seal placed on the stem assure external leak tightness. This double joint system guarantees safety against external leakage, use, ageing, etc.



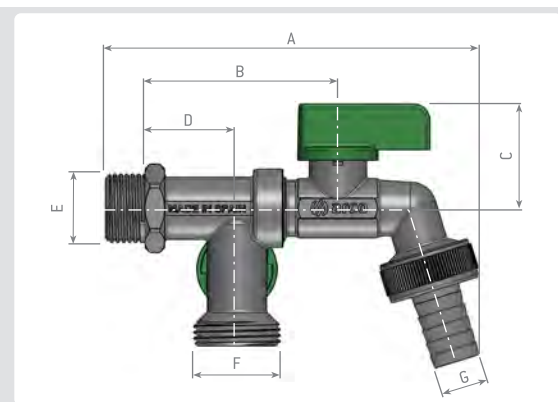
HANDLE

The handle includes an additional UV protection that allows its outdoor installation, keeping all the mechanical properties along the useful life.

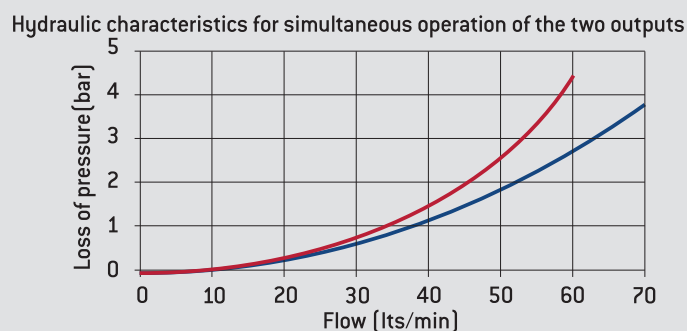
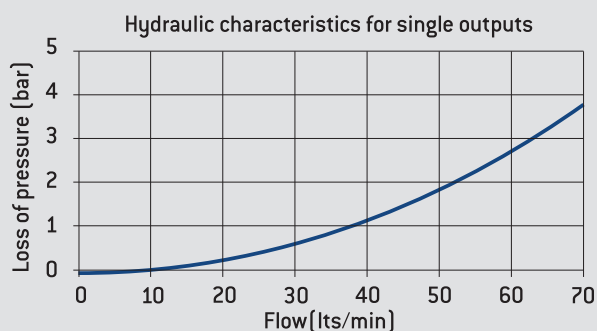
DIMENSIONS

SIZE	A	B	C	D	E	F	G
1/2 x 3/4	114	59	32	28	G1/2	G3/4	G3/4 ϕ 15

G: ISO 228 thread



HYDRAULIC CHARACTERISTICS



INSTALLATION AND ASSEMBLY

The installation of valves must be done with the right tool, mostly with a spanner. The tools should be adjusted to the flat sides of the body's valve, avoiding the deformation of the zone by high pressure of the tool.

Components of the valve must not be altered. The substitution or dismantling of the handle can produce external leaks.

All quarter turn valves should work totally open.



Válvulas ARCO, s.l.
Avda. del Cid, 8
46134 Foios (Valencia / Spain)
www.valvulasarco.com

Engineering department:
tel. (+34) 963 171 070
tecnica@valvulasarco.es



Every product has an impact on the environment during all stages of its life-cycle, including final disposal. All components of these valves can be recycled, deposit the valve in a green or recycled point when no longer useful.

Válvulas ARCO, S.L. reserves the right to change our products and specifications at any time and without prior notice.