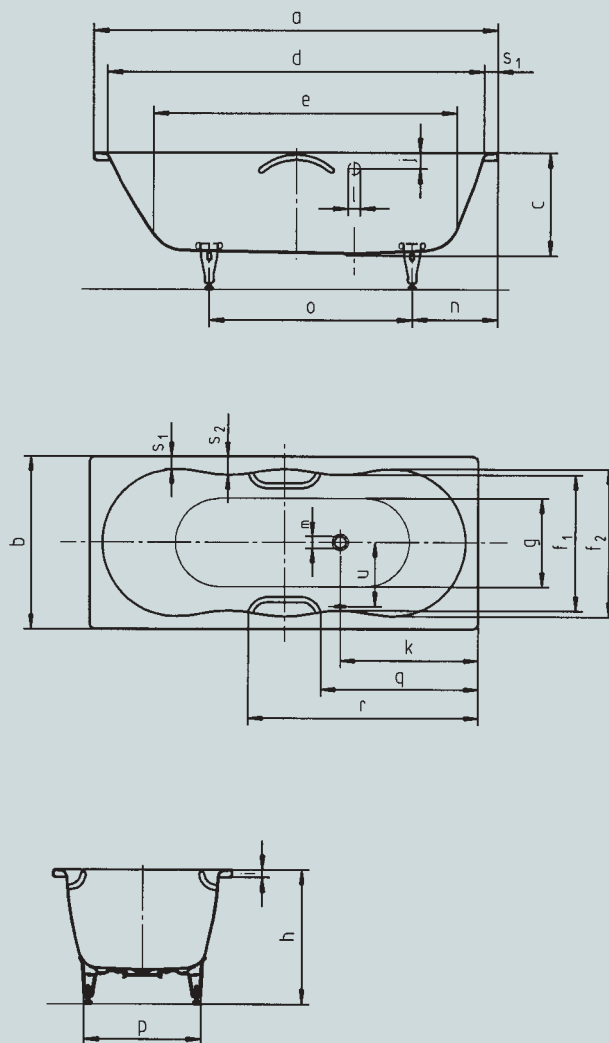


# NOVOLA

## NOVOLA STAR

- with its curved interior contours, this bathtub will become an eye-catcher in every bathroom
- one-seater bathtub with side overflow
- also available with handles



Model no.		252 / 253
External length	a	1700 mm
External width	b	750 mm
Depth	c	440 mm
Internal length (top)	d	1590 mm
<b>Internal length (bottom)</b>	<b>e</b>	<b>1275 mm</b>
Internal width (top)	f <sub>1</sub> ; f <sub>2</sub>	590; 640 mm
Internal width (bottom)	g	440 mm
Height with feet	h	560-575 mm
Height of rim	i	32 mm
Distance top edge to centre of overflow hole	j	67 mm
Distance tub edge (foot) to centre of drain hole	k	605 mm
Diameter of overflow hole	l	52 mm
Diameter of drain hole	m	52 mm
Distance foot end of tub edge to centre of base	n	490 mm
Distance between the feet	o	685 mm
Max. width of feet	p	480 mm
Distance tub edge (foot end) to where handle starts (Mod. 253)	q	691 mm
Distance tub edge (foot end) to where handle ends (Mod. 253)	r	1009 mm
Width of rim	s <sub>1</sub> ; s <sub>2</sub>	55; 80 mm
Distance between centre holes	u	313 mm
Water volume** in litres		153
Anti-slip		Ø 288 mm
Full anti-slip		900 x 300 mm

Subject to technical alterations and tolerances.  
 \*\* 70 litres displacement on average.