
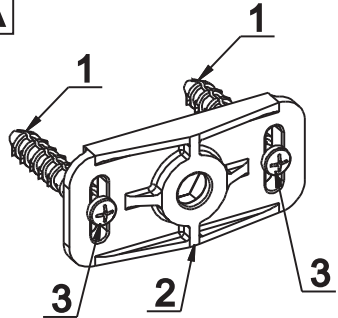
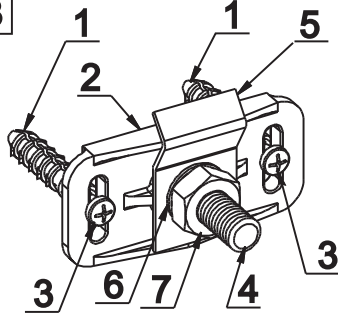


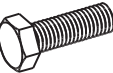





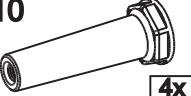


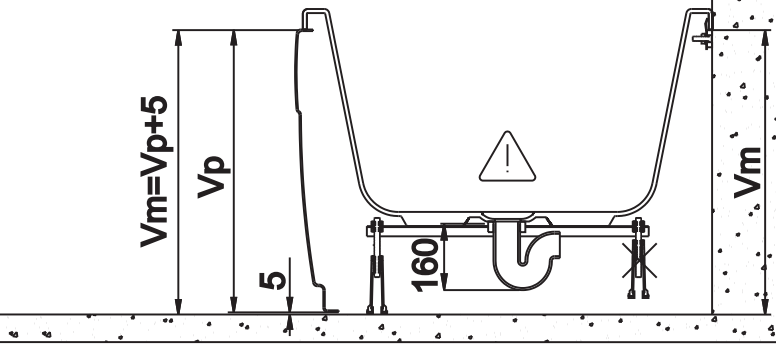
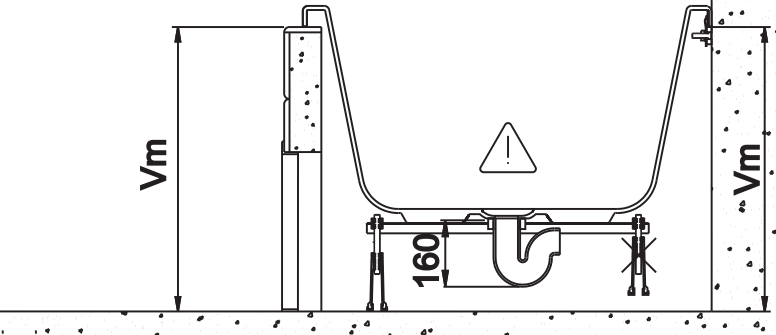
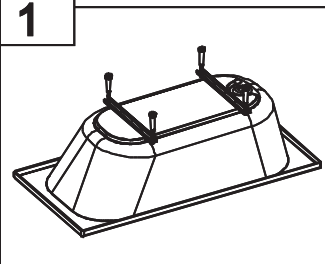
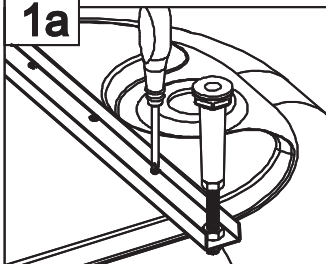
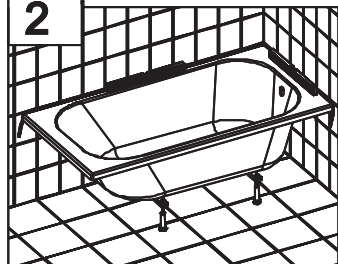
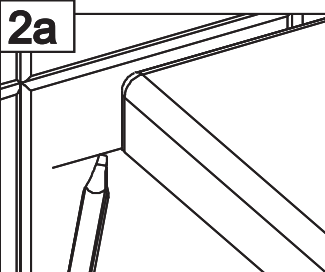
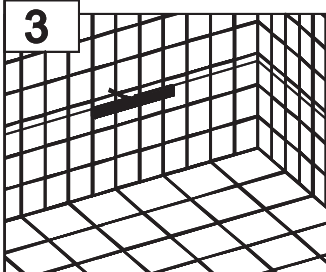
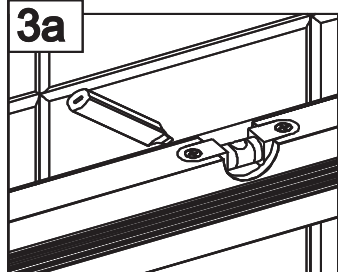
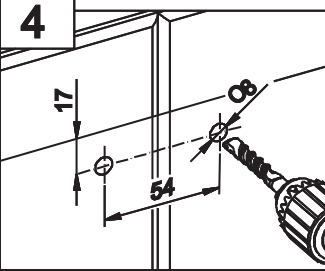
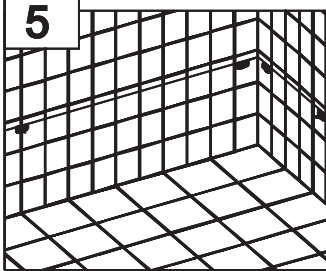
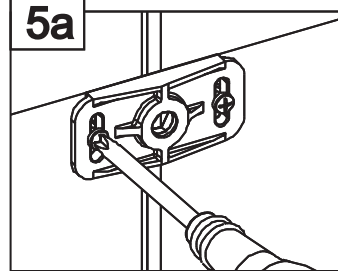
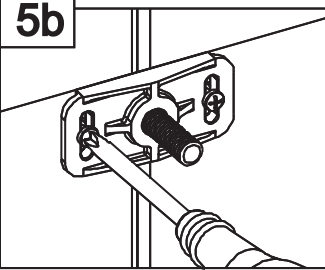
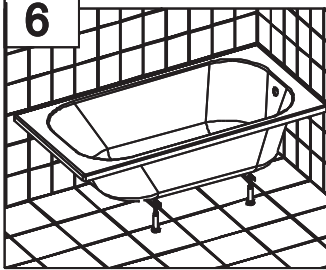
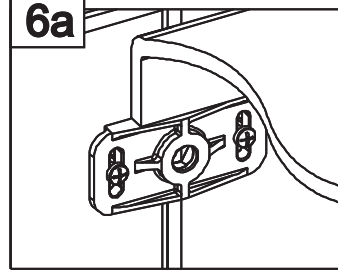
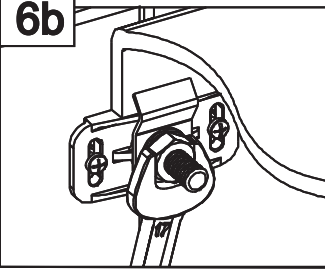
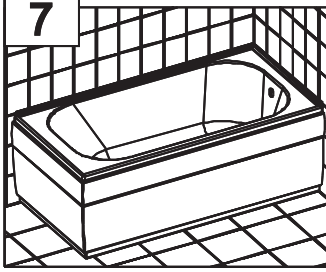


1  8x	A 	B 
2  4x	3  8x	4  2x
5  2x	6  2x	7  2x
8  4x	9  12x	10  4x
11  12x	12  2x	
		
		

1 	1a 	2 
2a 	3 	3a 
4  17, 54, 8	5 	5a 
5b 	6 	6a 
6b 	7 	8 