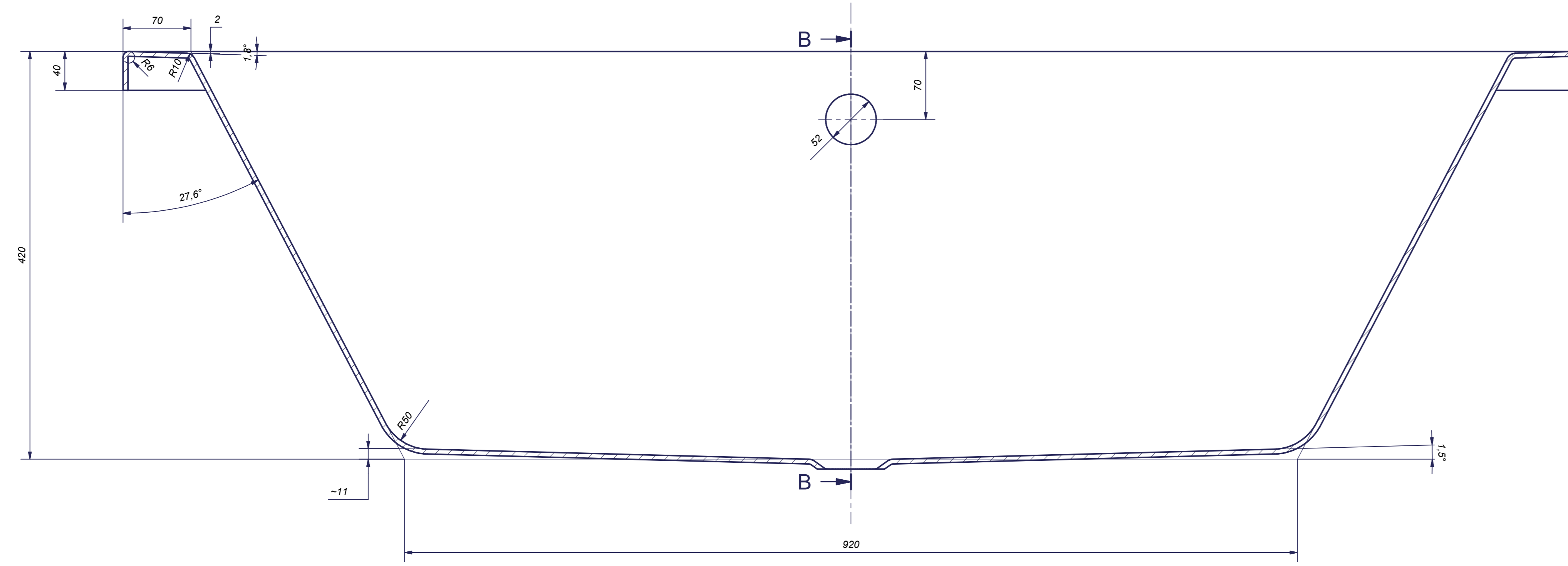
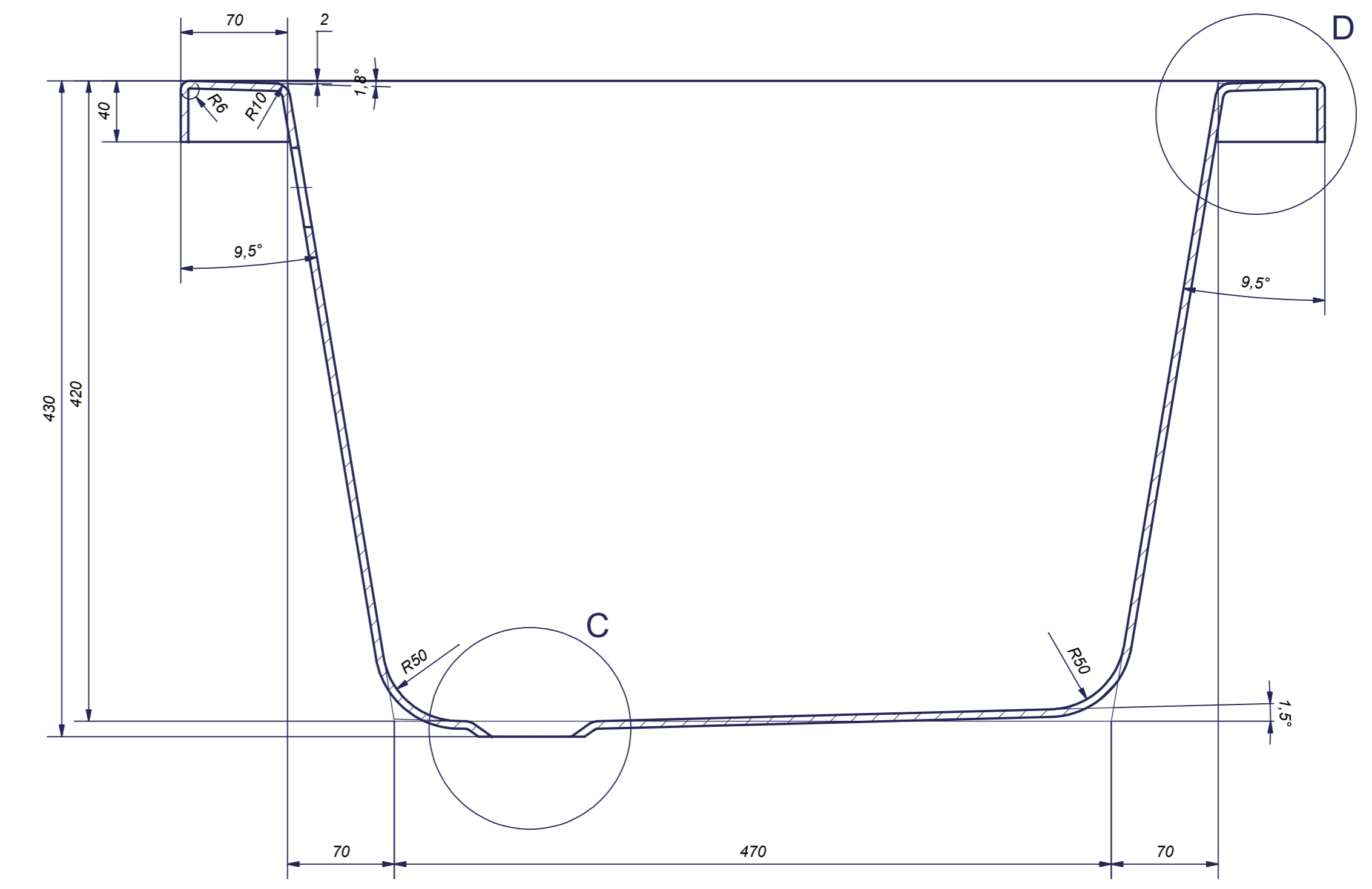


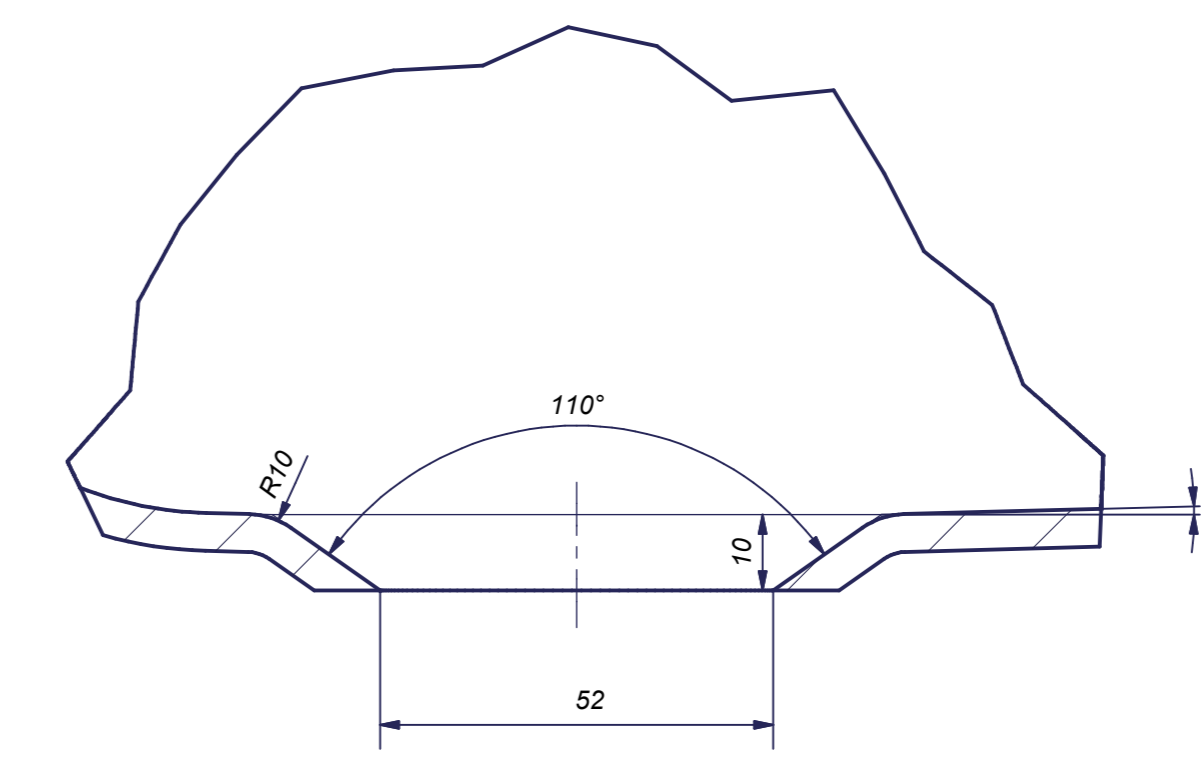
A-A (1:3)



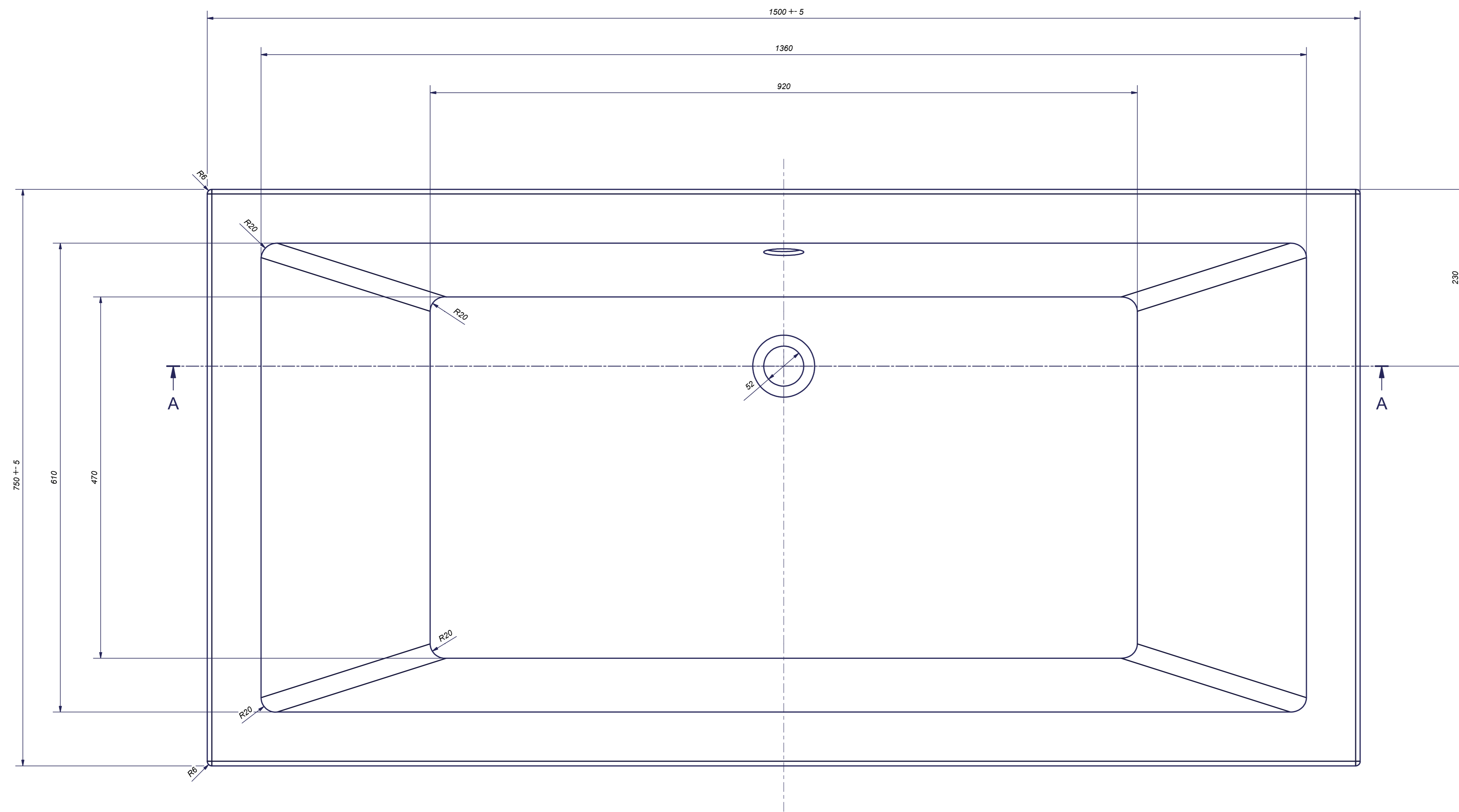
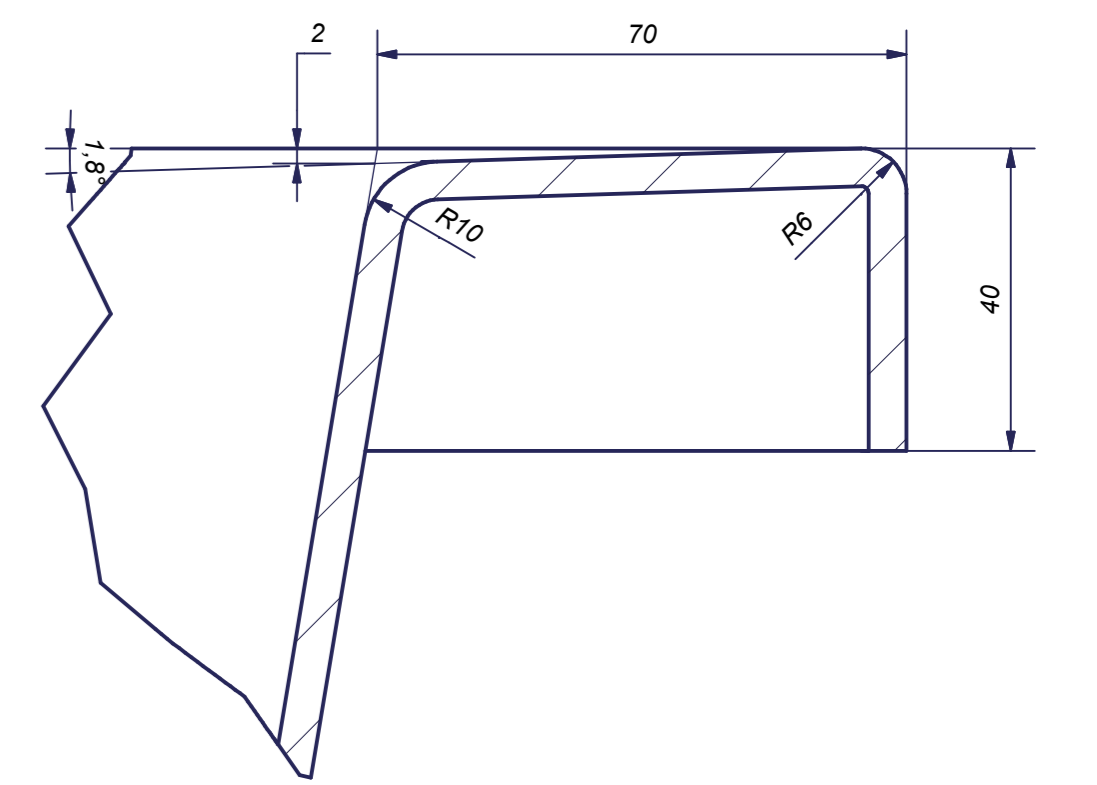
B-B (1:3)



C (1:1)



D (1:1)



(1:6)

